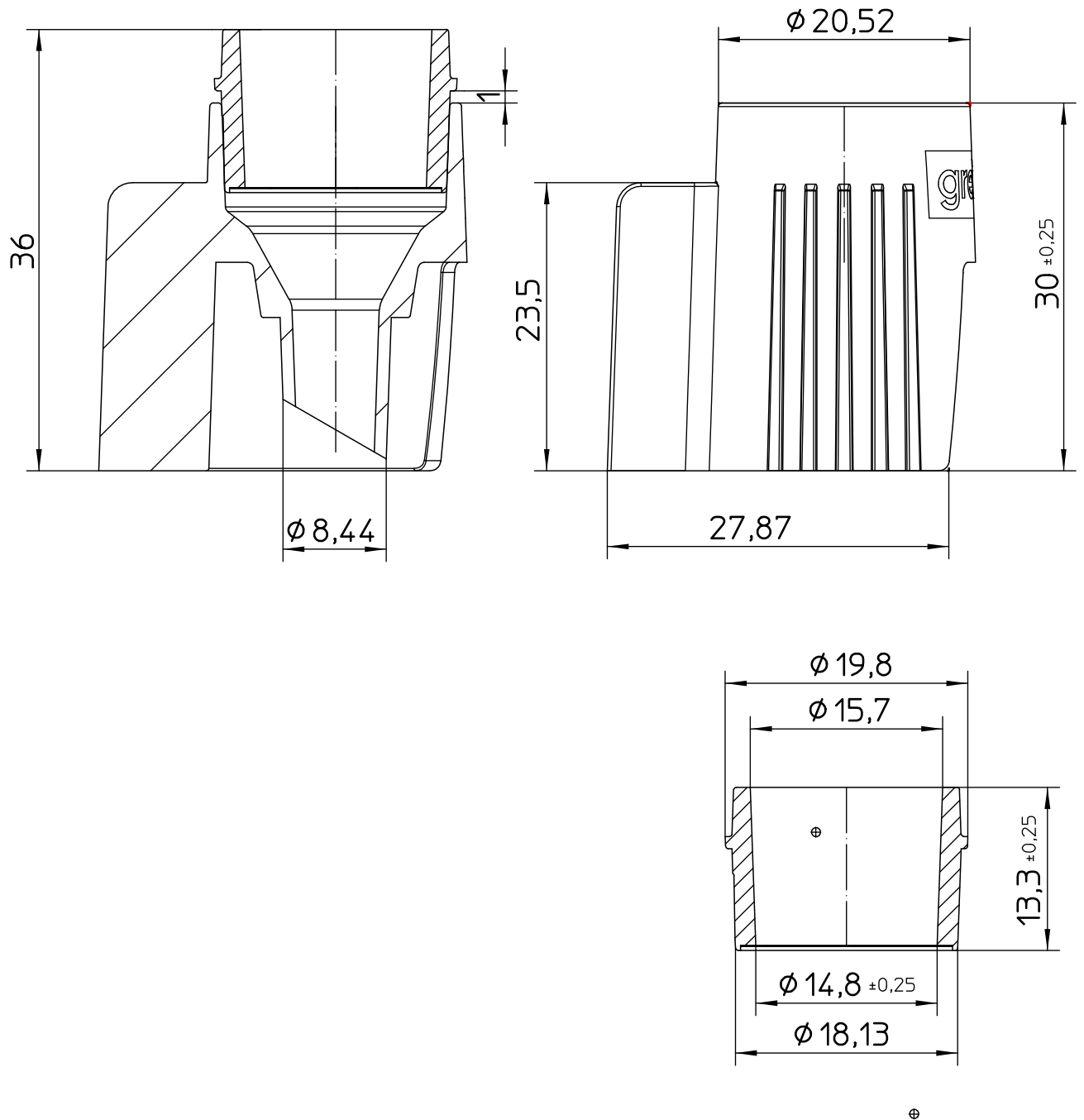


Valid for Item-No.: 542100, 542120, 542140, 542170



"All dimensions in mm"

Customer drawing subject to change without notice!

Uncontrolled Copy

Prior Issue	Drawn	Approved	Released	CONFIDENTIAL: Information contained in this document or drawing is confidential and proprietary to Greiner Bio-One GmbH. This document may not be reproduced for any reason without written permission from Greiner Bio-One GmbH. All rights of design, invention, and copyright are reserved.
Revision 3	Date 2020/05/28	Date 2021/02/04	Date 2021/02/04	
Date 2020/08/20	Name forb	Name ziegler	Name schwarzj	