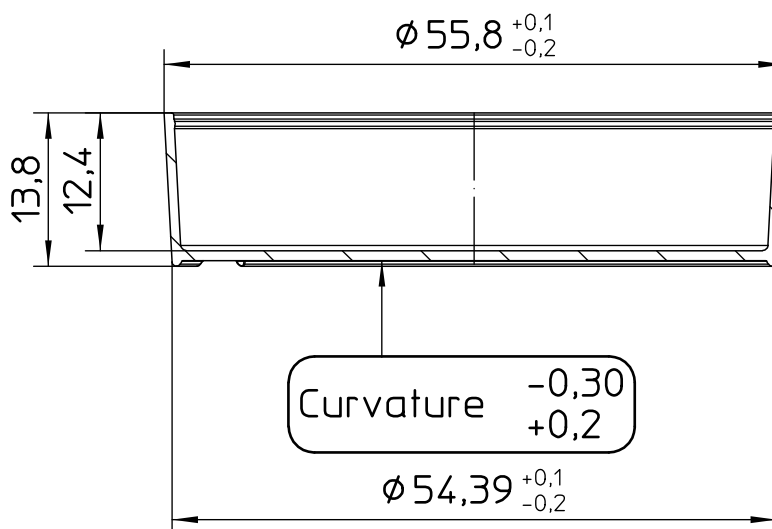
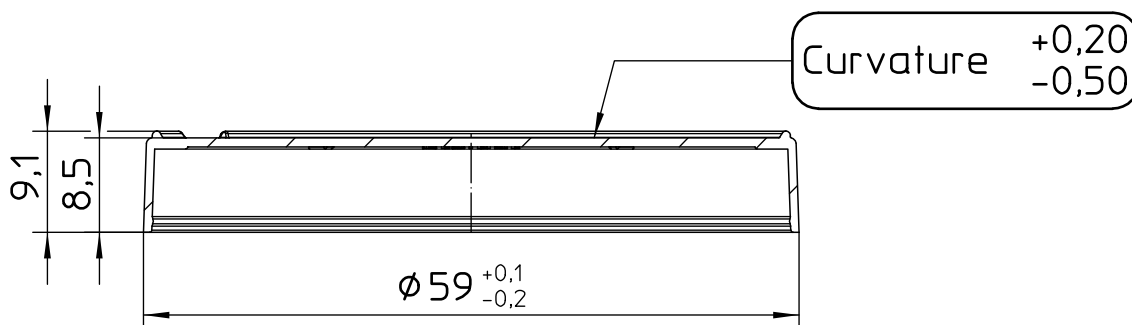
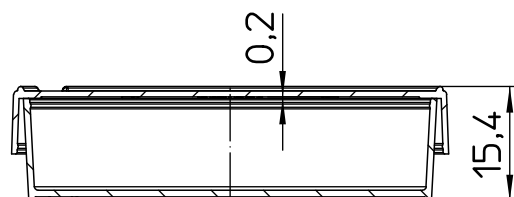
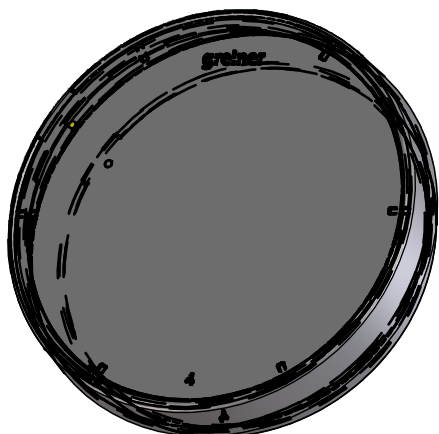


Valid for Item-No.: 628910, 628920, 628930, 628940, 628950



"All dimensions in mm"

Customer drawing subject to change without notice!

Uncontrolled Copy

Prior Issue	Drawn	Approved	Released	CONFIDENTIAL: Information contained in this document or drawing is confidential and proprietary to Greiner Bio-One GmbH. This document may not be reproduced for any reason without written permission from Greiner Bio-One GmbH. All rights of design, invention, and copyright are reserved.
Revision 2	Date 2017/11/03	Date 2022/11/14	Date 2022/11/14	
Date 2020/02/05	Name gerlach	Name forb	Name kleber	