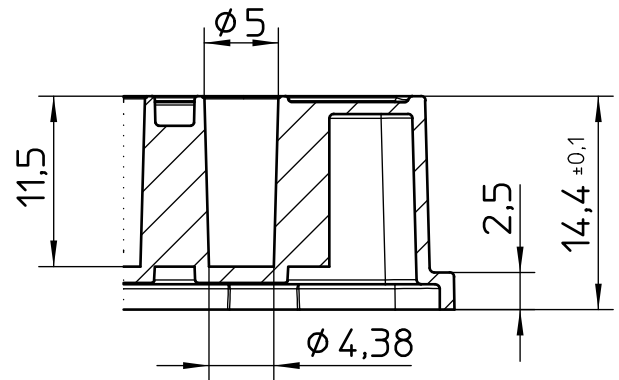
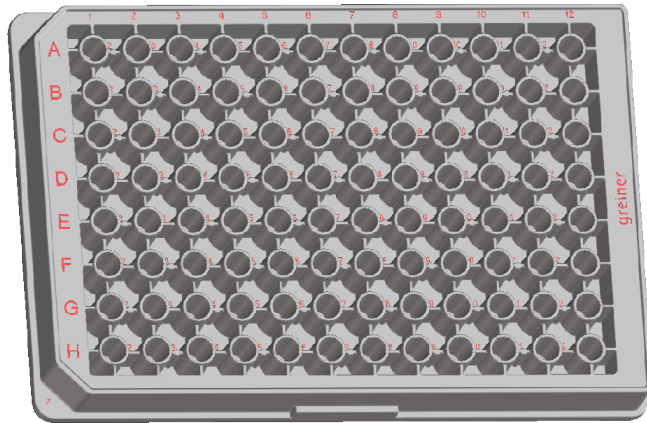
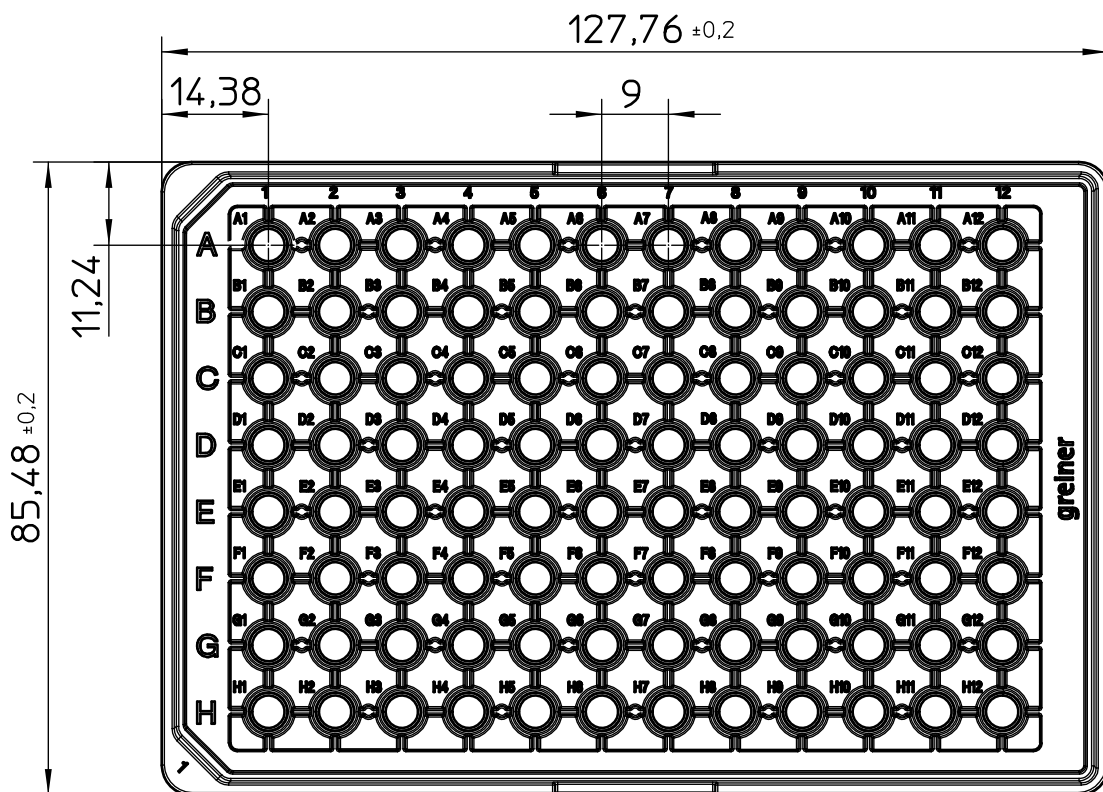
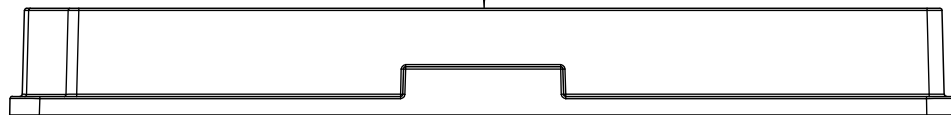


Valid for Item-No.: 675101, 675161, 675180



Curvature max.0,2



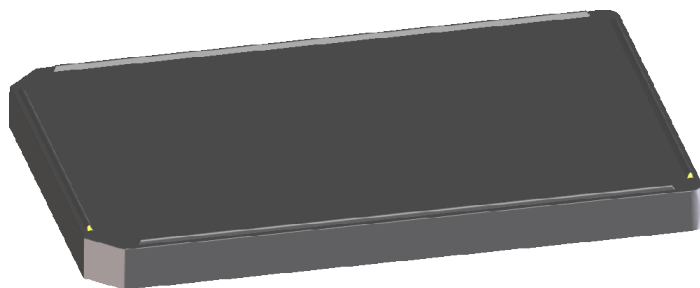
"All dimensions in mm"

Customer drawing subject to change without notice!

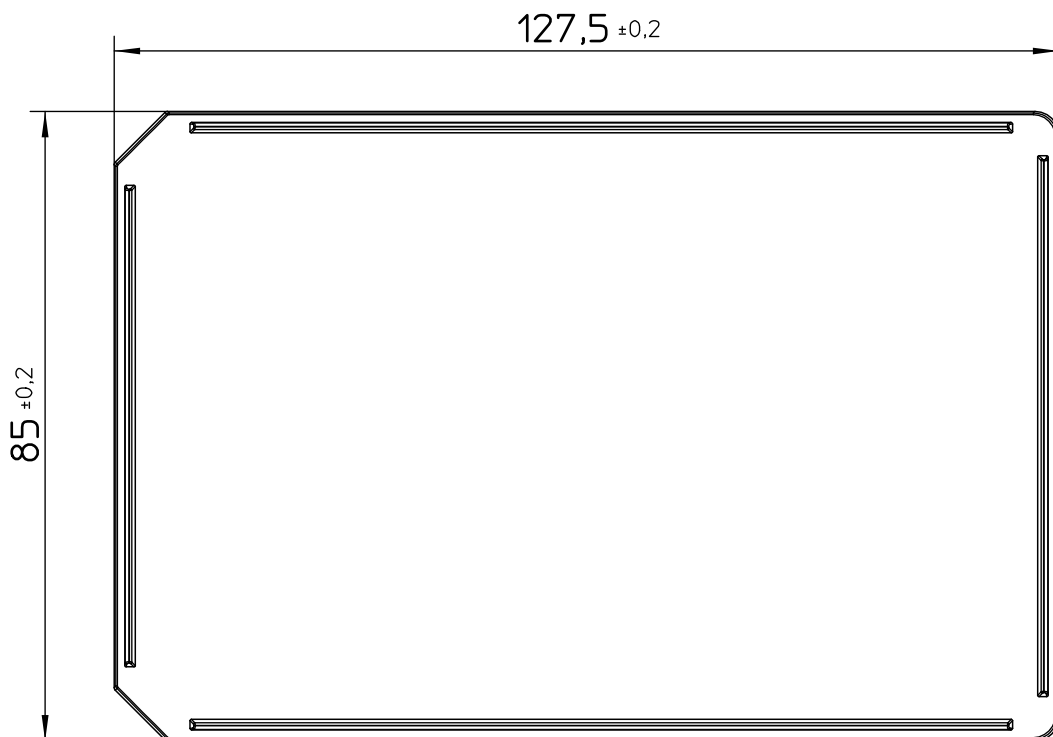
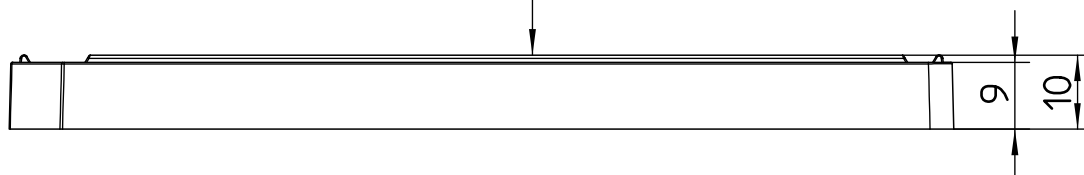
Uncontrolled Copy

Prior Issue	Drawn	Approved	Released	CONFIDENTIAL: Information contained in this document or drawing is confidential and proprietary to Greiner Bio-One GmbH. This document may not be reproduced for any reason without written permission from Greiner Bio-One GmbH. All rights of design, invention, and copyright are reserved.
Revision 3	Date 2011/02/21	Date 2022/11/09	Date 2022/11/09	
Date 2020/02/20	Name forb	Name forb	Name kleber	

Valid for Item-No.: 675101, 675161, 675180



Curvature +0,3
-0,3



Only Part-No. 675180 with lid

"All dimensions in mm"
Customer drawing subject to change without notice!

Uncontrolled Copy

Prior Issue	Drawn	Approved	Released	CONFIDENTIAL: Information contained in this document or drawing is confidential and proprietary to Greiner Bio-One GmbH. This document may not be reproduced for any reason without written permission from Greiner Bio-One GmbH. All rights of design, invention, and copyright are reserved.
Revision 3	Date 2011/02/21	Date 2022/11/09	Date 2022/11/09	
Date 2020/02/20	Name forb	Name forb	Name kleber	