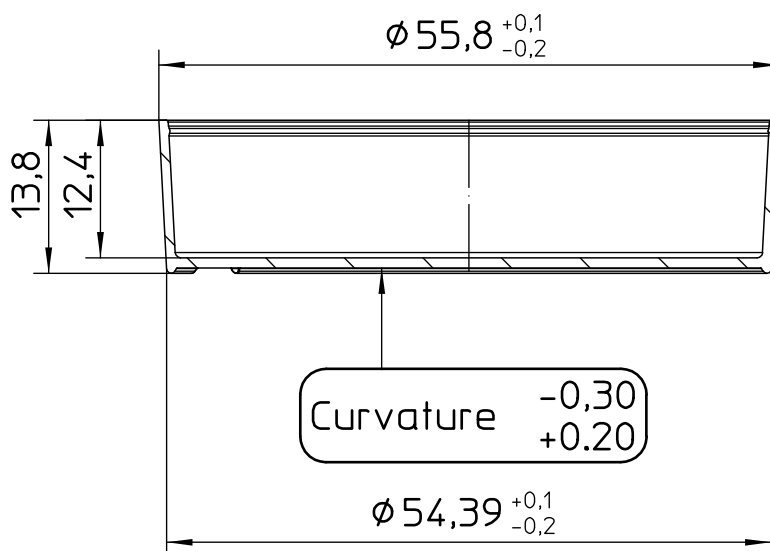
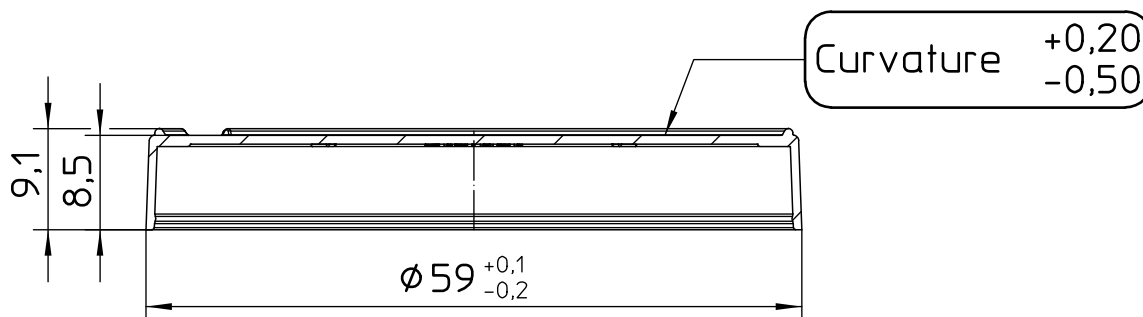
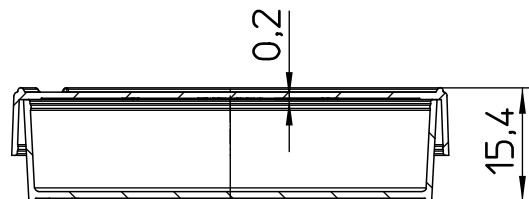
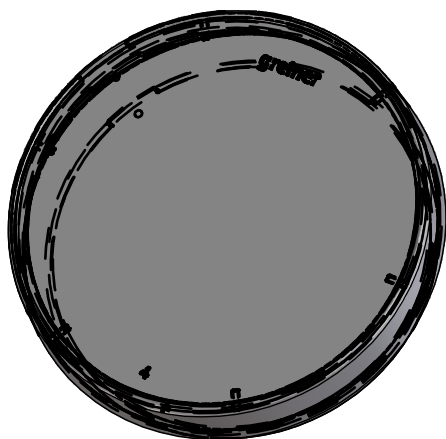


Valid for Item-No.: 628102, 628160, 628160-TRI, 628161



"All dimensions in mm"

Customer drawing subject to change without notice!

Uncontrolled Copy

Prior Issue	Drawn	Approved	Released	CONFIDENTIAL: Information contained in this document or drawing is confidential and proprietary to Greiner Bio-One GmbH. This document may not be reproduced for any reason without written permission from Greiner Bio-One GmbH. All rights of design, invention, and copyright are reserved.
Revision	Date	Date	Date	
2	2017/11/03	2022/11/14	2022/11/14	
Date	Name	Name	Name	
2020/02/05	gerlach	forb	kleber	