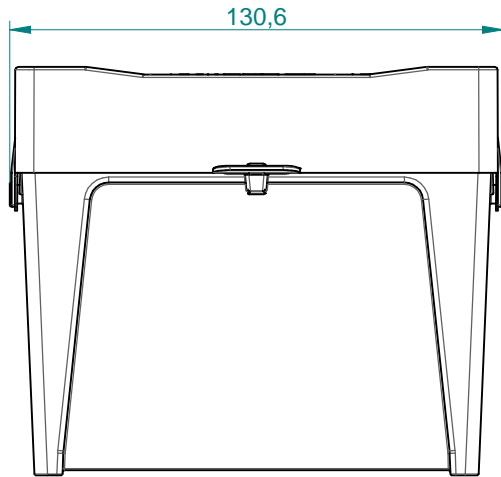
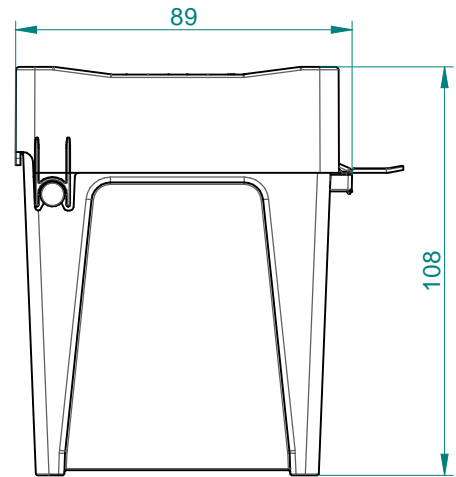


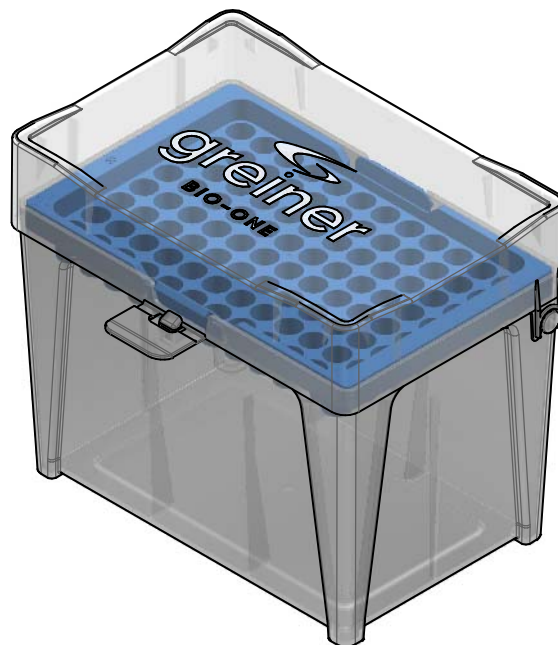
Valid for Item-No.: 777350, 777360, 778350, 778360



Front View



Side View



"All dimensions in mm"

Customer drawing subject to change without notice!

Uncontrolled Copy

Prior Issue	Drawn	Approved	Released	<small>CONFIDENTIAL:</small> Information contained in this document or drawing is confidential and proprietary to Greiner Bio-One GmbH. This document may not be reproduced for any reason without written permission from Greiner Bio-One GmbH. All rights of design, invention, and copyright are reserved.
Revision 770340.00	Date 23.09.2021	Date Sep. 2021	Date Sep. 2021	
Date 29.04.2019	Name M. Salinger	Name J. Gaiser	Name R. Heller	