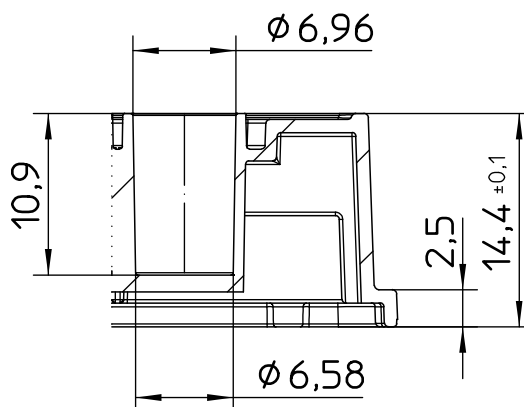
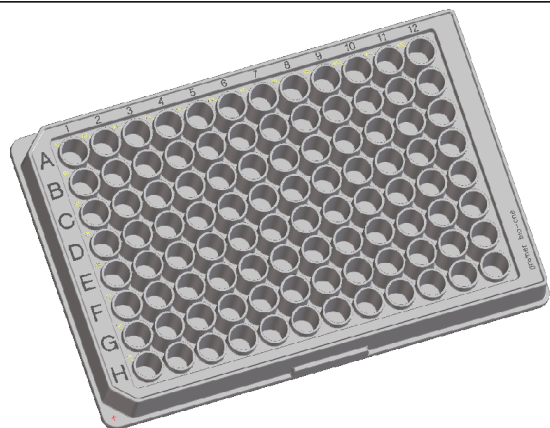
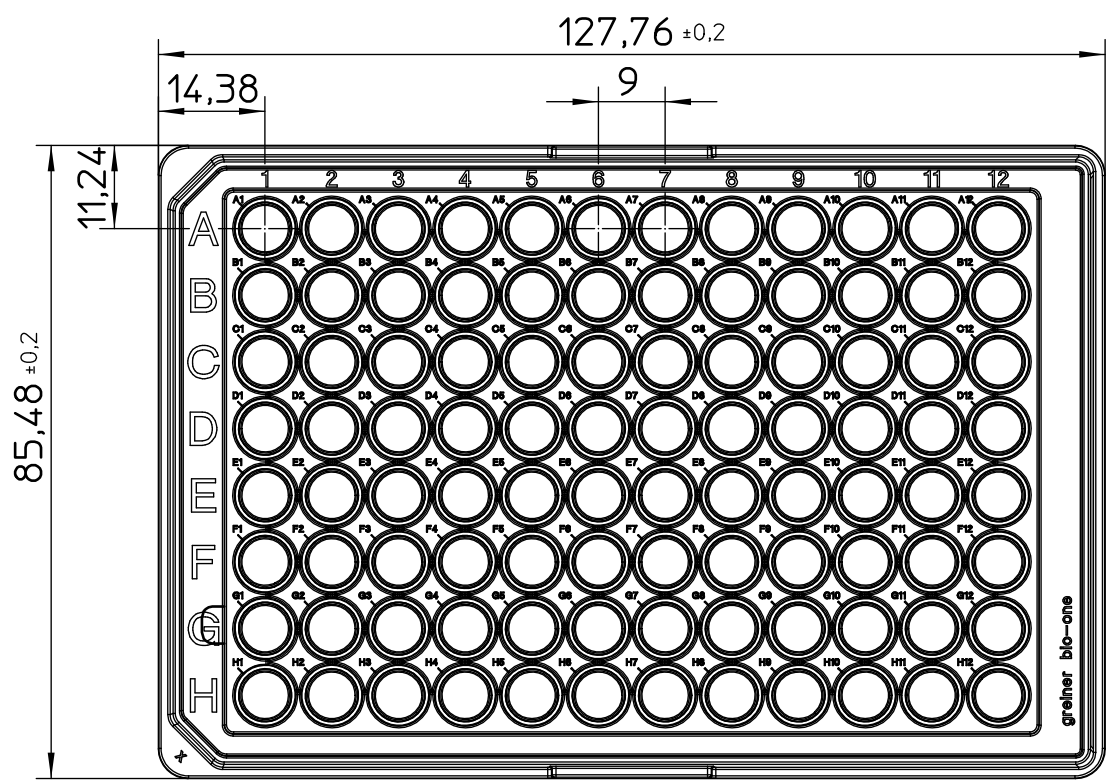
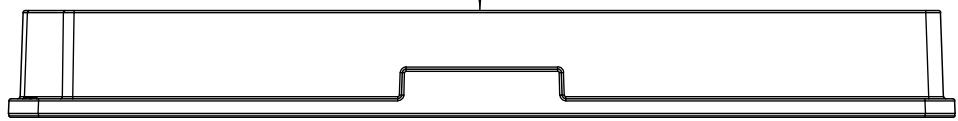


Valid for Item-No.: 655069, 655080, 655081, 655082, 655160, 655162, 655165, 655180, 655181, 655182, 655182-PC, 655184, 655185



Curvature  $\updownarrow$  Max.Diff 0.20



For this Items  
there is also  
LOT MHD SURFACE

"All dimensions in mm"

Customer drawing subject to change without notice!

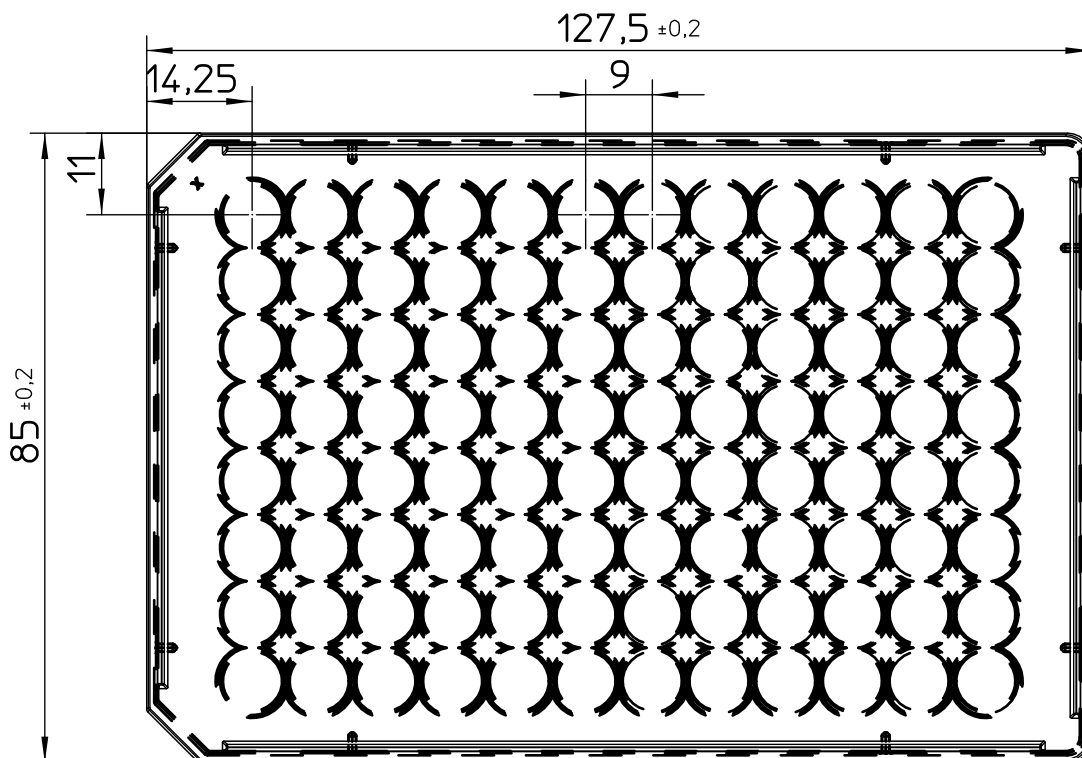
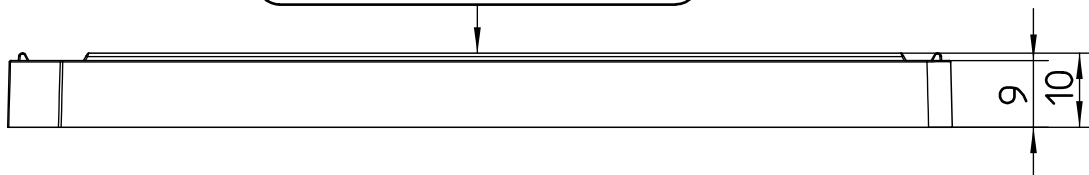
Uncontrolled Copy

Prior Issue	Drawn	Approved	Released	CONFIDENTIAL: Information contained in this document or drawing is confidential and proprietary to Greiner Bio-One GmbH. This document may not be reproduced for any reason without written permission from Greiner Bio-One GmbH. All rights of design, invention, and copyright are reserved.
Revision 3	Date 2018/11/29	Date 2020/09/21	Date 2020/09/21	
Date 2019/05/16	Name forb	Name forb	Name sonntag	

Valid for Item-No.: 655069, 655080, 655081, 655082, 655160, 655162, 655165, 655180, 655181, 655182, 655182-PC, 655184, 655185



Curvature  $\updownarrow$  Max.Diff 0.30



"All dimensions in mm"

Customer drawing subject to change without notice!

Uncontrolled Copy

Prior Issue	Drawn	Approved	Released	CONFIDENTIAL: Information contained in this document or drawing is confidential and proprietary to Greiner Bio-One GmbH. This document may not be reproduced for any reason without written permission from Greiner Bio-One GmbH. All rights of design, invention, and copyright are reserved.
Revision 3	Date 2018/11/29	Date 2020/09/21	Date 2020/09/21	
Date 2019/05/16	Name forb	Name forb	Name sonntag	