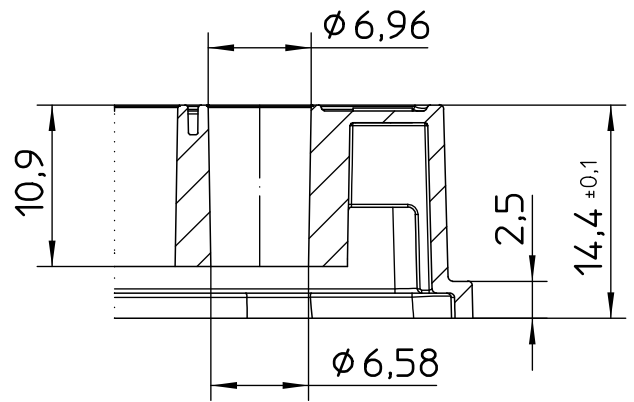
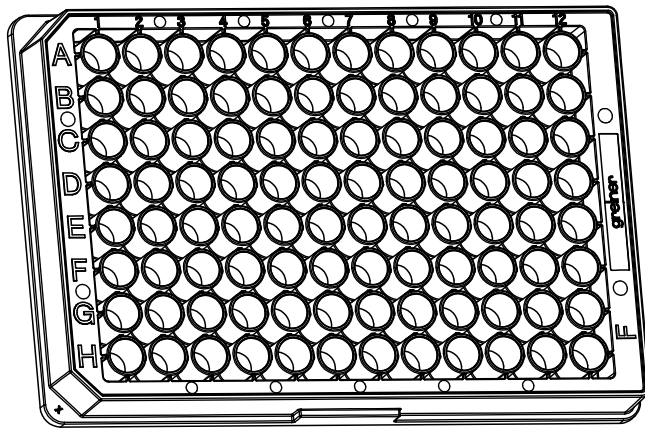
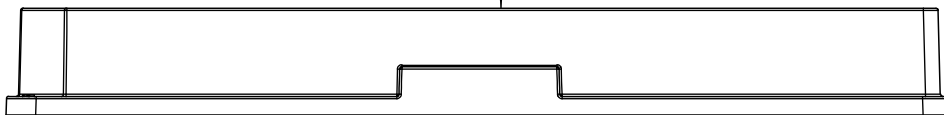


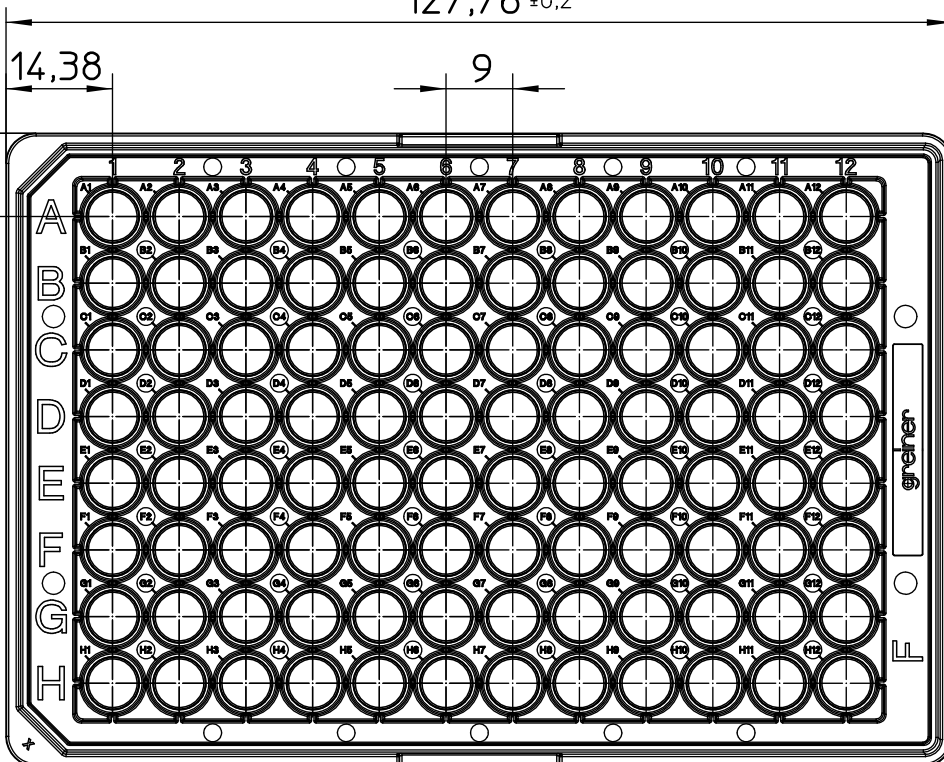
Valid for Item-No.: 655000, 655000-01, 655000-06



Curvature max. 0,2



127,76 $\pm 0,2$



"All dimensions in mm"

Customer drawing subject to change without notice!

Uncontrolled Copy

Prior Issue	Drawn	Approved	Released	CONFIDENTIAL: Information contained in this document or drawing is confidential and proprietary to Greiner Bio-One GmbH. This document may not be reproduced for any reason without written permission from Greiner Bio-One GmbH. All rights of design, invention, and copyright are reserved.
Revision 4	Date 2011/06/15	Date 2021/09/27	Date 2021/09/27	
Date 2021/01/27	Name forb	Name forb	Name schwarzj	