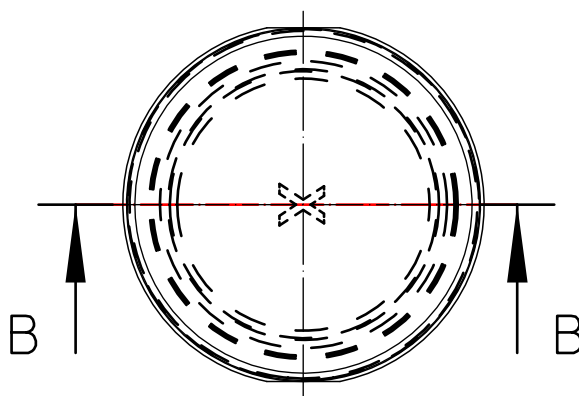
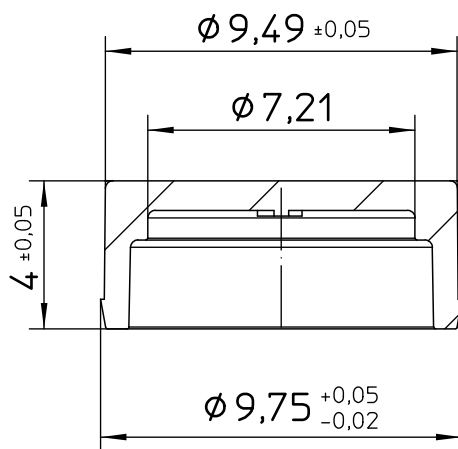
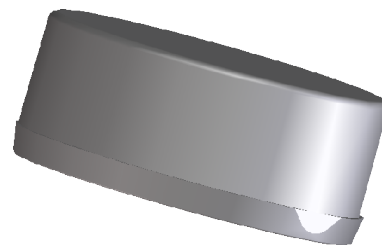


Valid for Item-No.: 304130, 304131, 304132, 304133, 304134



"All dimensions in mm"

Customer drawing subject to change without notice!

Uncontrolled Copy

Prior Issue	Drawn	Approved	Released	CONFIDENTIAL: Information contained in this document or drawing is confidential and proprietary to Greiner Bio-One GmbH. This document may not be reproduced for any reason without written permission from Greiner Bio-One GmbH. All rights of design, invention, and copyright are reserved.
Revision	Date 2021/11/04	Date 2021/11/04	Date 2021/11/04	
Date	Name forb	Name forb	Name schwarzj	