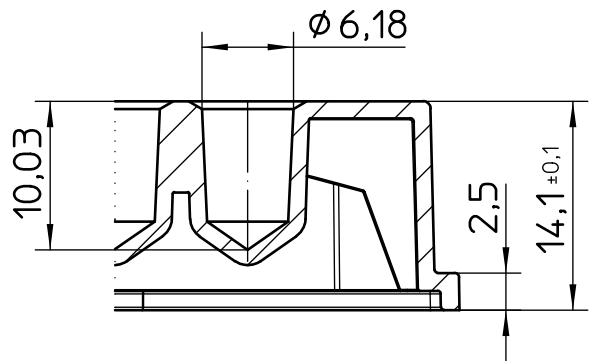
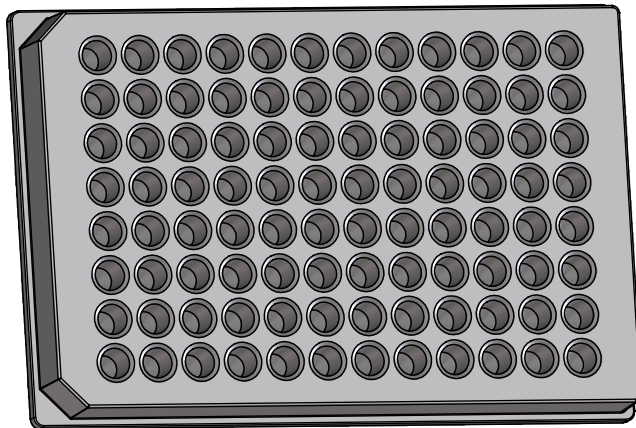
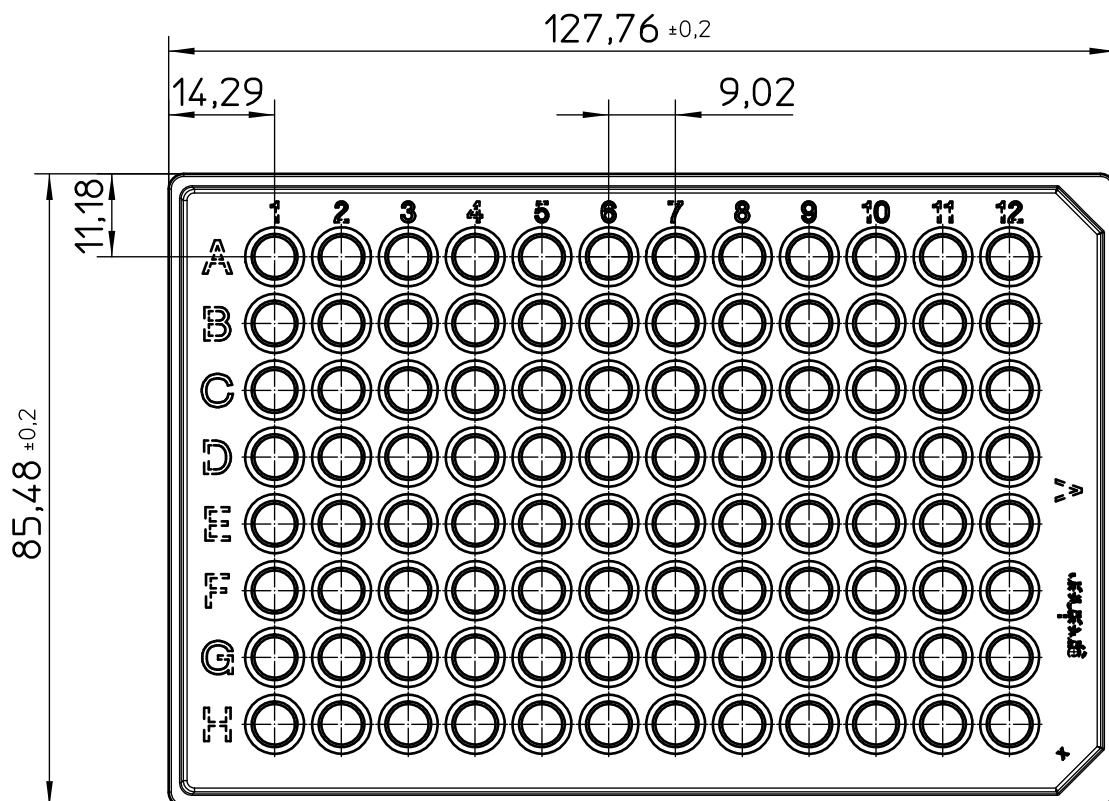
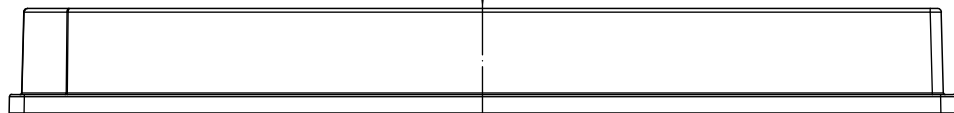


Valid for Item-No.: 651001, 651061



Curvature $+0,2$
 $-0,2$



"All dimensions in mm"

Customer drawing subject to change without notice!

Uncontrolled Copy

Prior Issue	Drawn	Approved	Released	CONFIDENTIAL: Information contained in this document or drawing is confidential and proprietary to Greiner Bio-One GmbH. This document may not be reproduced for any reason without written permission from Greiner Bio-One GmbH. All rights of design, invention, and copyright are reserved.
Revision 3	Date 2011/05/26	Date 2021/09/28	Date 2021/09/29	
Date 2019/03/06	Name forb	Name forb	Name schwarzj	