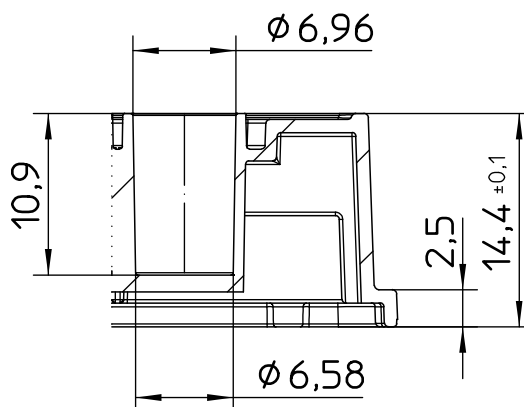
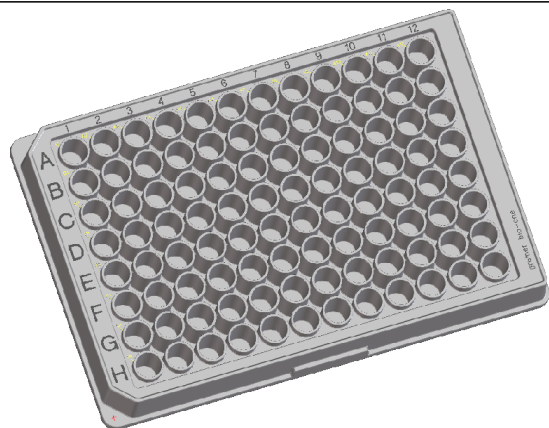
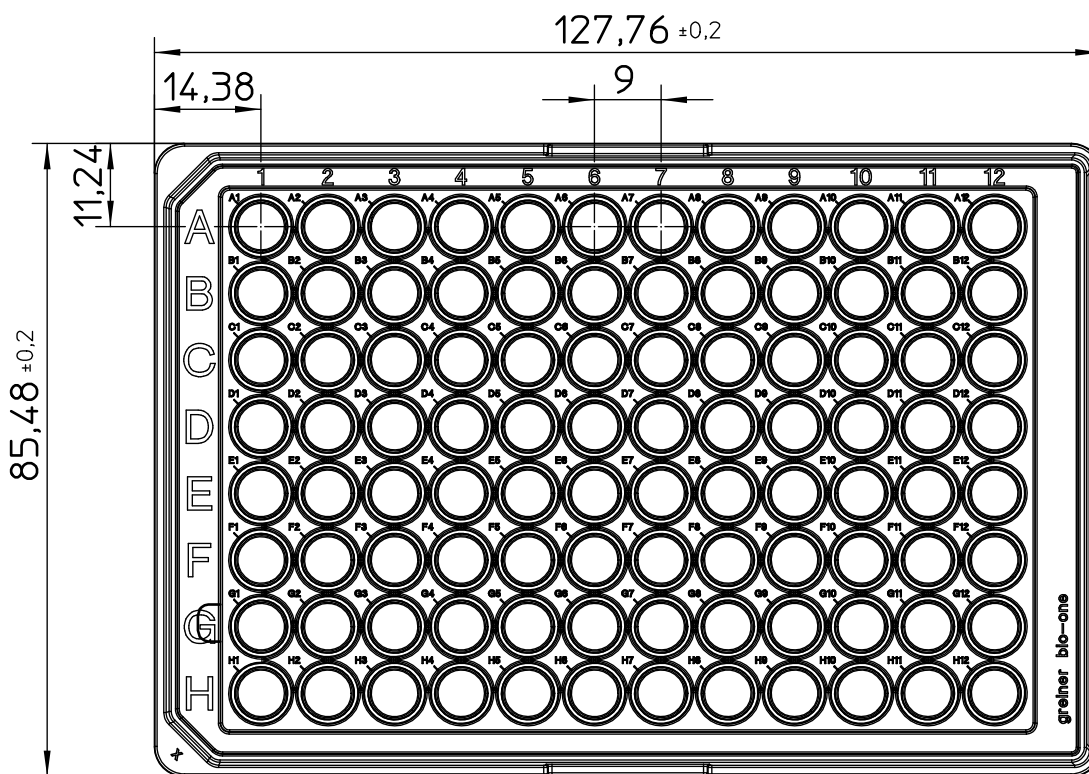


Valid for Item-No.: 655069, 655080, 655081, 655082, 655160, 655162, 655165, 655180, 655181, 655182, 655182-PC, 655184, 655185



Curvature \updownarrow Max.Diff 0.20



For this Items
there is also
LOT MHD SURFACE

"All dimensions in mm"

Customer drawing subject to change without notice!

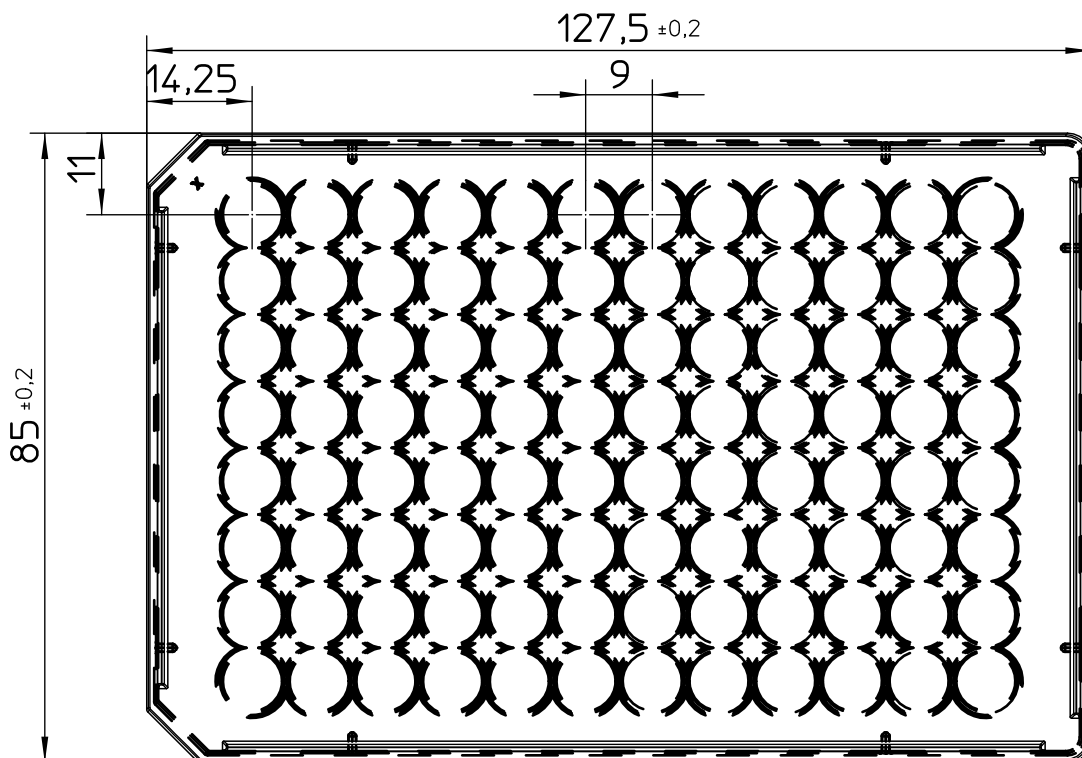
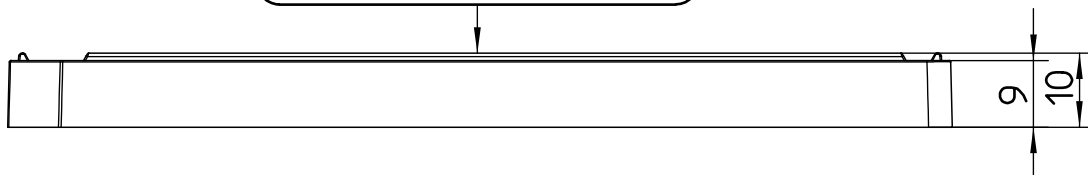
Uncontrolled Copy

Prior Issue	Drawn	Approved	Released	CONFIDENTIAL: Information contained in this document or drawing is confidential and proprietary to Greiner Bio-One GmbH. This document may not be reproduced for any reason without written permission from Greiner Bio-One GmbH. All rights of design, invention, and copyright are reserved.
Revision 3	Date 2018/11/29	Date 2020/09/21	Date 2020/09/21	
Date 2019/05/16	Name forb	Name forb	Name sonntag	

Valid for Item-No.: 655069, 655080, 655081, 655082, 655160, 655162, 655165, 655180, 655181, 655182, 655182-PC, 655184, 655185



Curvature \updownarrow Max.Diff 0.30



"All dimensions in mm"

Customer drawing subject to change without notice!

Uncontrolled Copy

Prior Issue	Drawn	Approved	Released	CONFIDENTIAL: Information contained in this document or drawing is confidential and proprietary to Greiner Bio-One GmbH. This document may not be reproduced for any reason without written permission from Greiner Bio-One GmbH. All rights of design, invention, and copyright are reserved.
Revision 3	Date 2018/11/29	Date 2020/09/21	Date 2020/09/21	
Date 2019/05/16	Name forb	Name forb	Name sonntag	