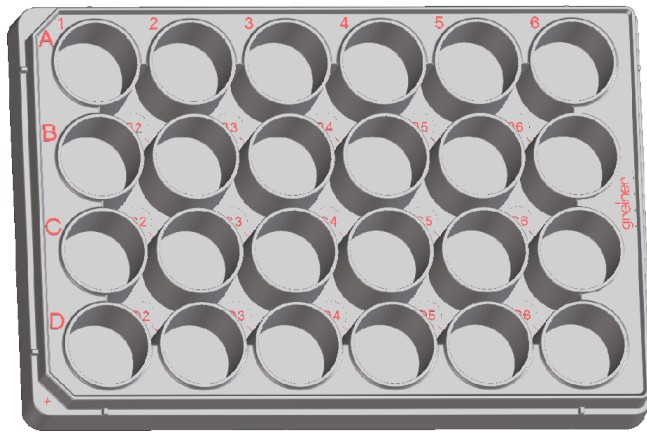
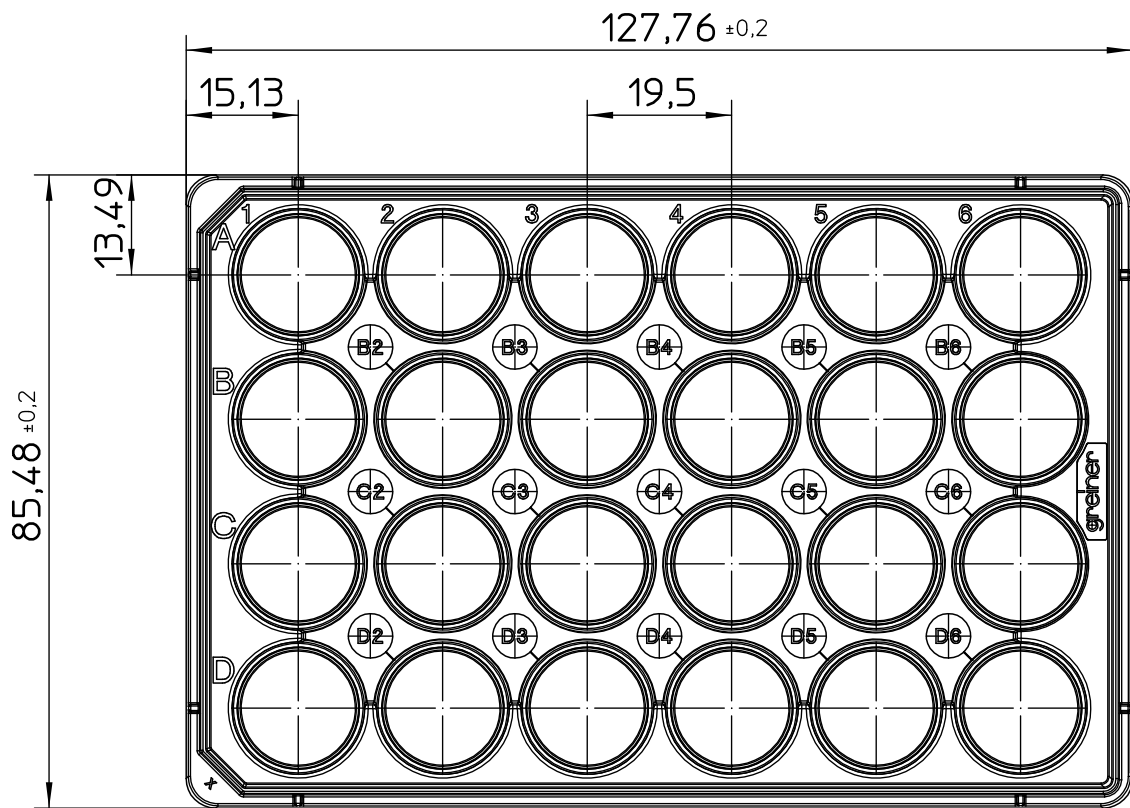
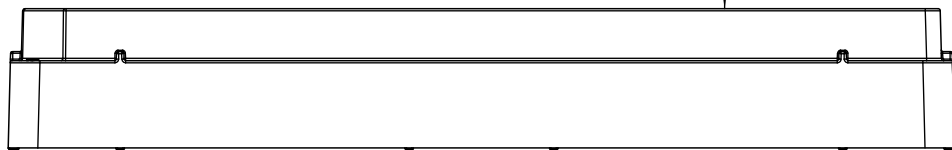


Valid for Item-No.: 662610, 662630, 662631, 662638, 662640, 662641



Curvature 0,2



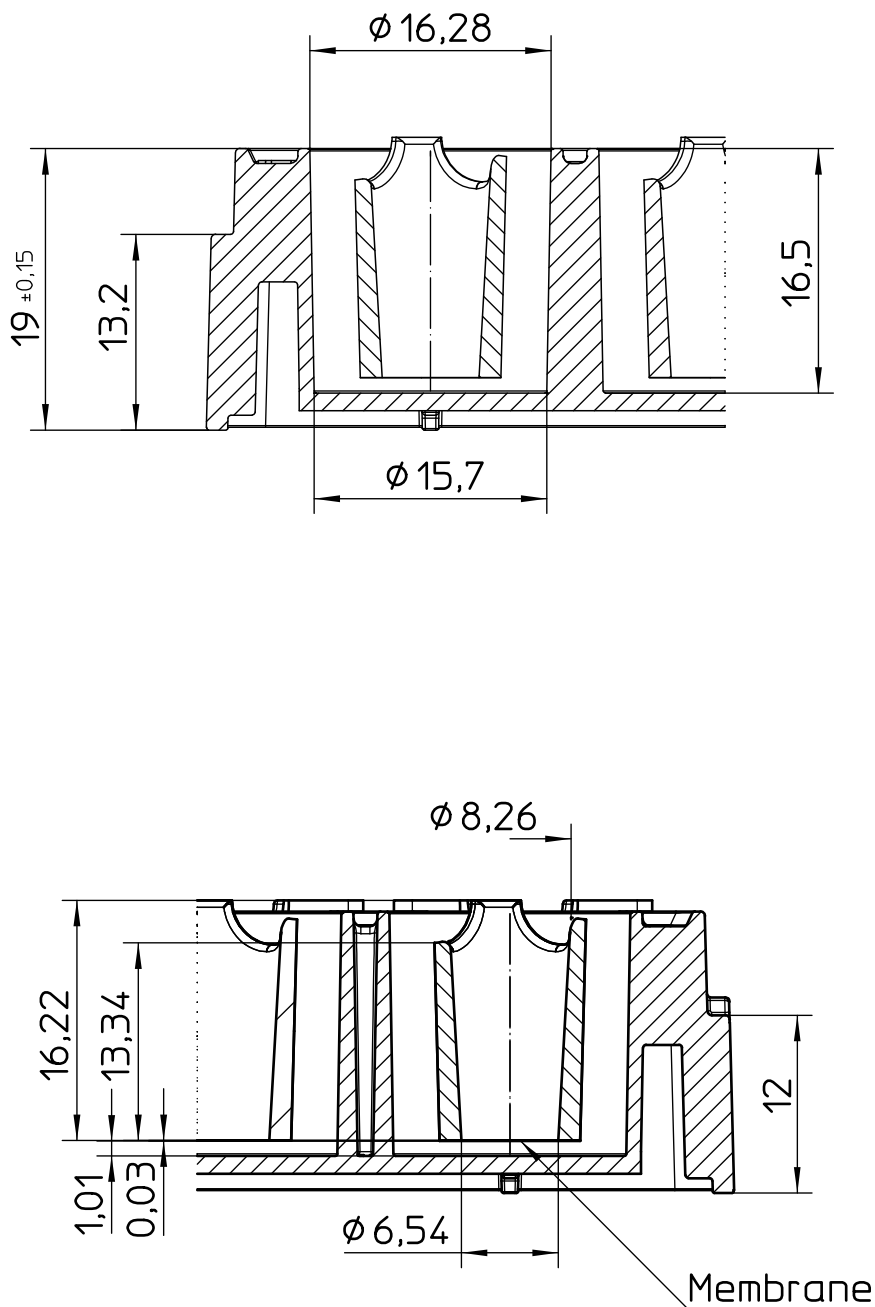
"All dimensions in mm"

Customer drawing subject to change without notice!

Uncontrolled Copy

Prior Issue	Drawn	Approved	Released	CONFIDENTIAL: Information contained in this document or drawing is confidential and proprietary to Greiner Bio-One GmbH. This document may not be reproduced for any reason without written permission from Greiner Bio-One GmbH. All rights of design, invention, and copyright are reserved.
Revision 8	Date 2011/08/09	Date 2024/09/20	Date 2024/09/20	
Date 2022/10/27	Name forb	Name kleber	Name ziegler	

Valid for Item-No.: 662610, 662630, 662631, 662638, 662640, 662641



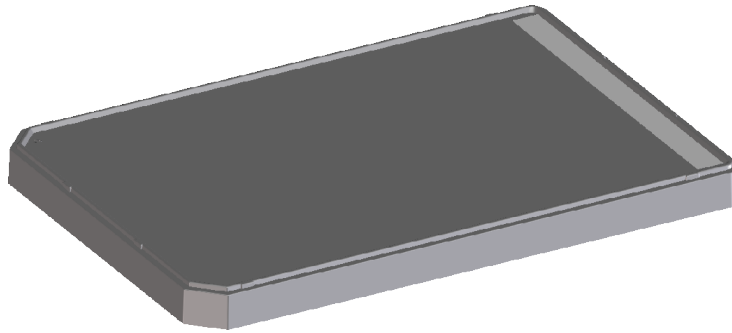
"All dimensions in mm"

Customer drawing subject to change without notice!

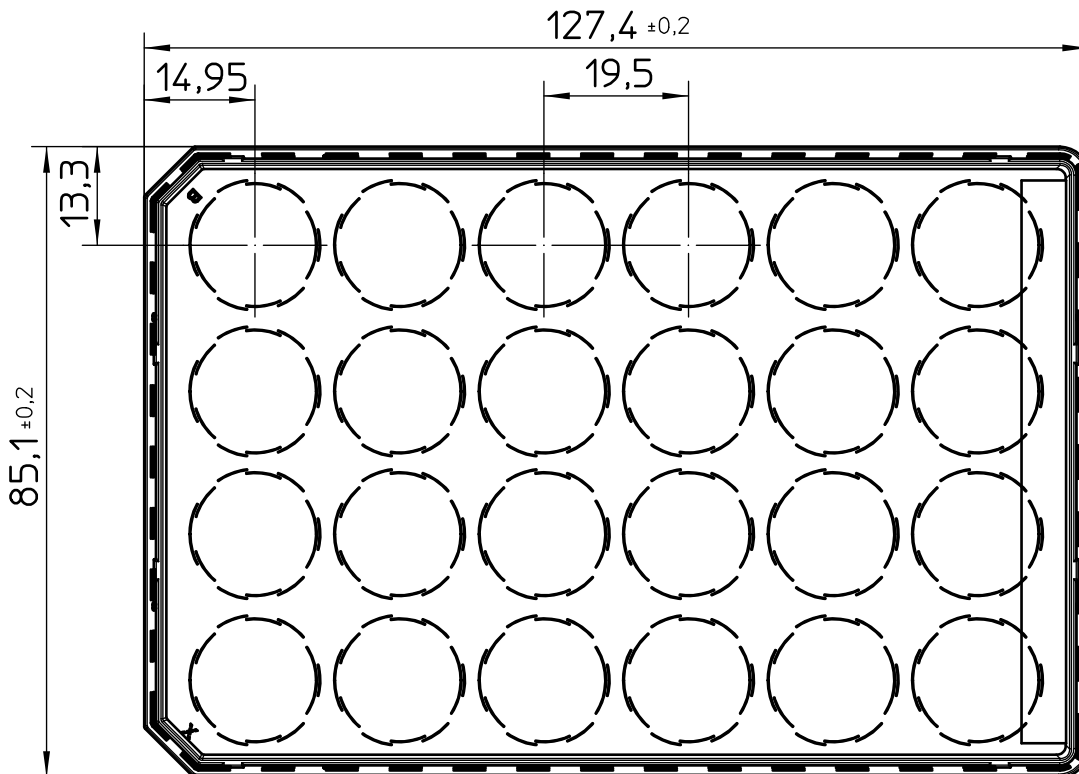
Uncontrolled Copy

Prior Issue	Drawn	Approved	Released	CONFIDENTIAL: Information contained in this document or drawing is confidential and proprietary to Greiner Bio-One GmbH. This document may not be reproduced for any reason without written permission from Greiner Bio-One GmbH. All rights of design, invention, and copyright are reserved.
Revision 8	Date 2011/08/09	Date 2024/09/20	Date 2024/09/20	
Date 2022/10/27	Name forb	Name kleber	Name ziegler	

Valid for Item-No.: 662610, 662630, 662631, 662638, 662640, 662641



Curvature +0,3
-0,1



"All dimensions in mm"

Customer drawing subject to change without notice!

Uncontrolled Copy

Prior Issue	Drawn	Approved	Released	CONFIDENTIAL: Information contained in this document or drawing is confidential and proprietary to Greiner Bio-One GmbH. This document may not be reproduced for any reason without written permission from Greiner Bio-One GmbH. All rights of design, invention, and copyright are reserved.
Revision 8	Date 2011/08/09	Date 2024/09/20	Date 2024/09/20	
Date 2022/10/27	Name forb	Name kleber	Name ziegler	