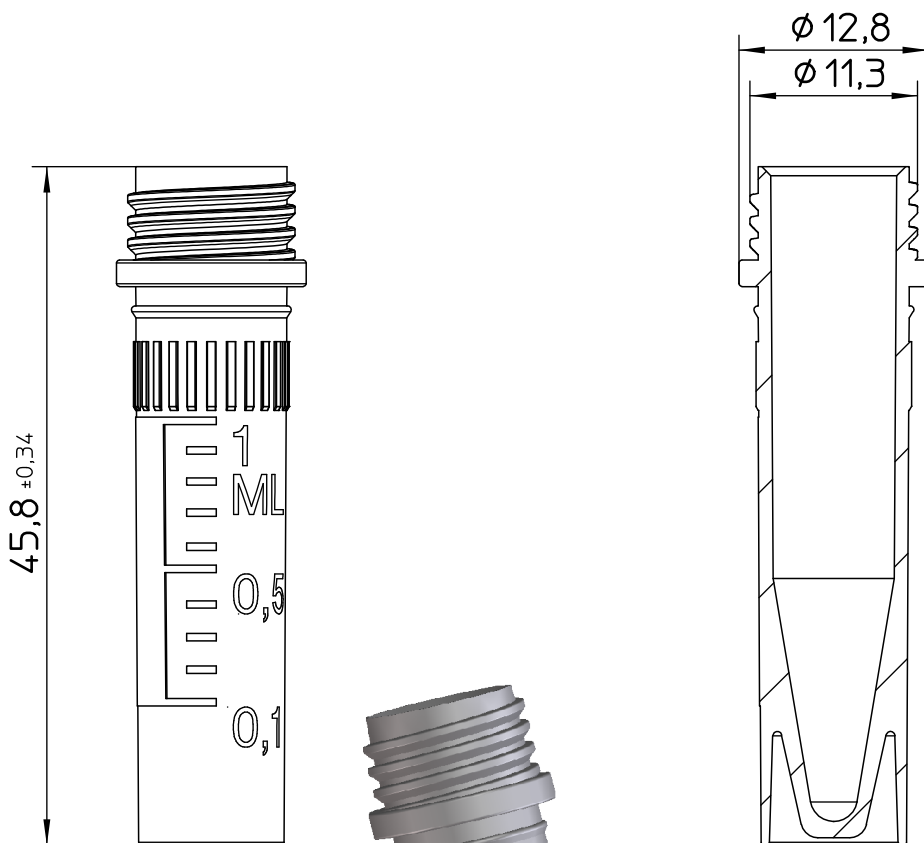


Valid for Item-No.: 717201, 717261



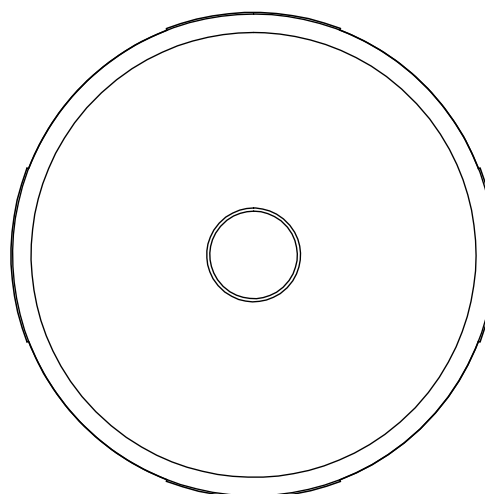
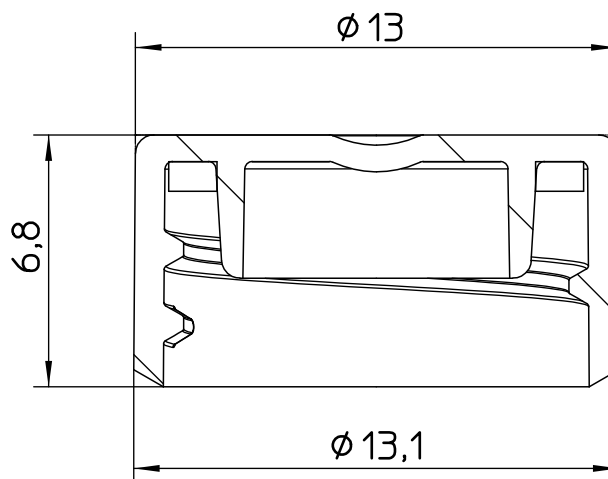
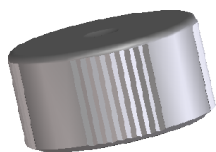
"All dimensions in mm"

Customer drawing subject to change without notice!

Uncontrolled Copy

| Prior Issue | Drawn      | Approved   | Released   | CONFIDENTIAL: Information contained in this document or drawing is confidential and proprietary to Greiner Bio-One GmbH. This document may not be reproduced for any reason without written permission from Greiner Bio-One GmbH. All rights of design, invention, and copyright are reserved. |
|-------------|------------|------------|------------|--|
| Revision    | Date       | Date       | Date       |  |
| 6           | 2012/05/09 | 2024/11/07 | 2024/11/07 |  |
| Date        | Name       | Name       | Name       |  |
| 2022/02/17  | forb       | kleber     | ziegler    |  |

Valid for Item-No.: 717201, 717261



"All dimensions in mm"

Customer drawing subject to change without notice!

Uncontrolled Copy

| Prior Issue        | Drawn              | Approved           | Released           | CONFIDENTIAL: Information contained in this document or drawing is confidential and proprietary to Greiner Bio-One GmbH. This document may not be reproduced for any reason without written permission from Greiner Bio-One GmbH. All rights of design, invention, and copyright are reserved. |
|--------------------|--------------------|--------------------|--------------------|--|
| Revision<br>6      | Date<br>2012/05/09 | Date<br>2024/11/07 | Date<br>2024/11/07 |  |
| Date<br>2022/02/17 | Name<br>forb       | Name<br>kleber     | Name<br>ziegler    |  |