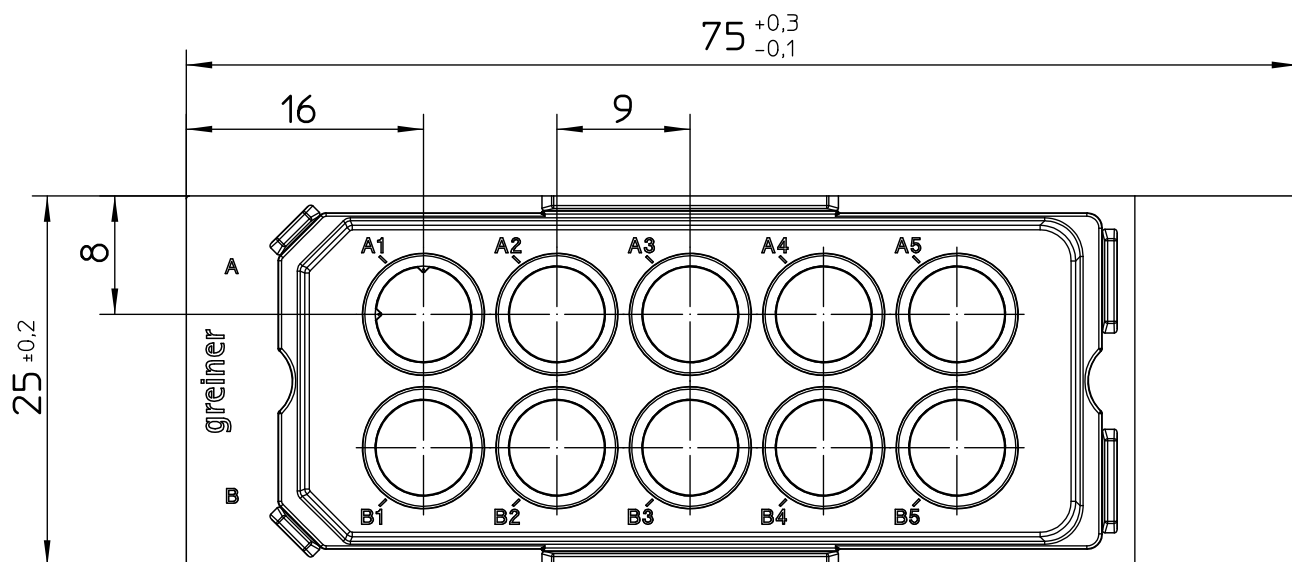
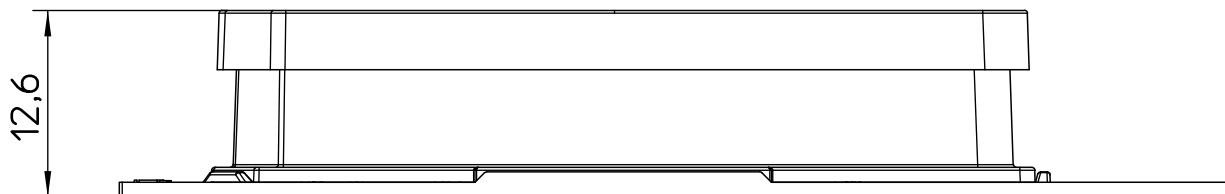
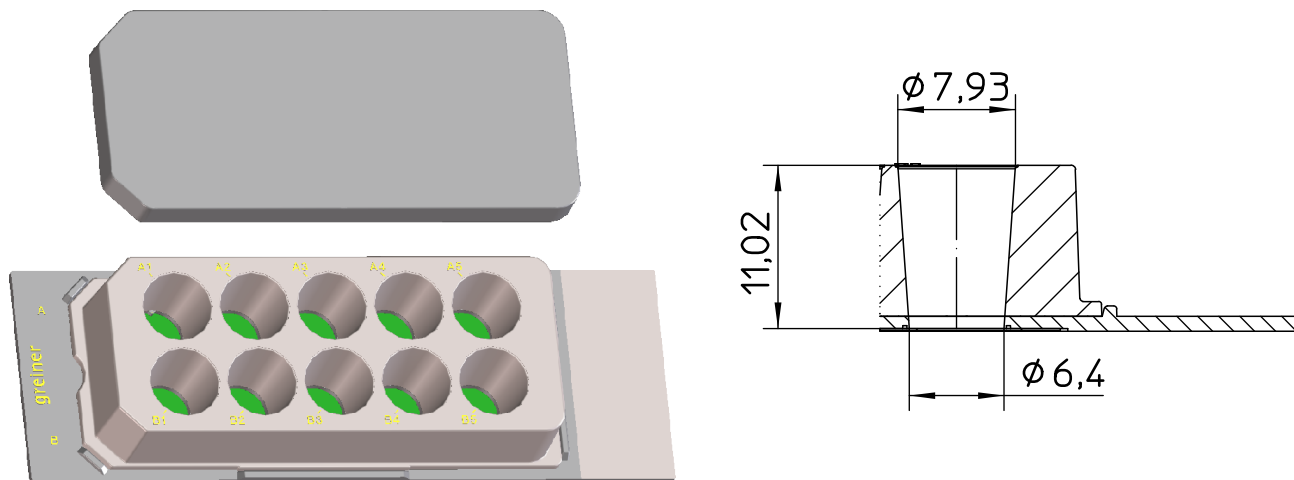


Valid for Item-No.: 543078, 543079, 543978, 543979



"All dimensions in mm"

Customer drawing subject to change without notice!

Uncontrolled Copy

Prior Issue	Drawn	Approved	Released	CONFIDENTIAL: Information contained in this document or drawing is confidential and proprietary to Greiner Bio-One GmbH. This document may not be reproduced for any reason without written permission from Greiner Bio-One GmbH. All rights of design, invention, and copyright are reserved.
Revision 3	Date 2015/02/09	Date 2022/08/03	Date 2022/08/03	
Date 2017/12/01	Name schwarzj	Name forb	Name kleber	