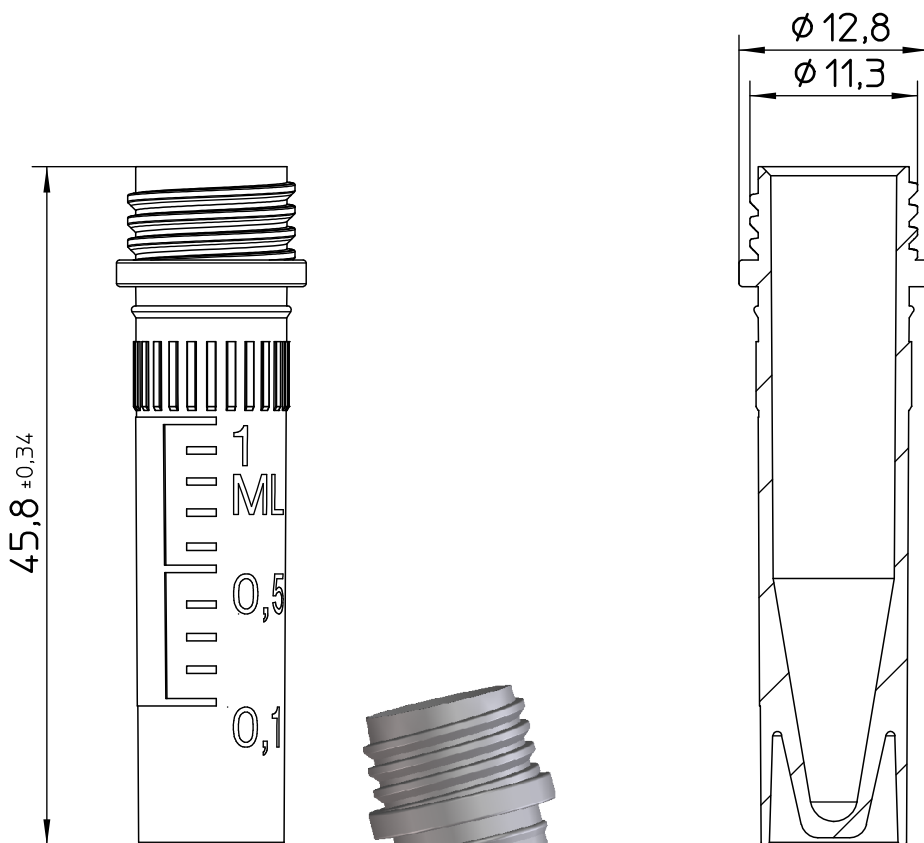


Valid for Item-No.: 717201, 717261



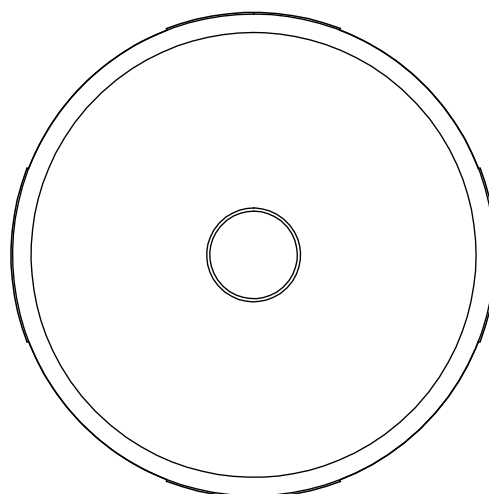
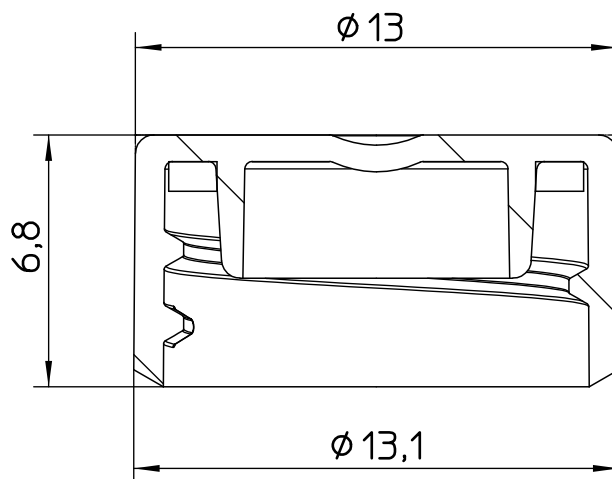
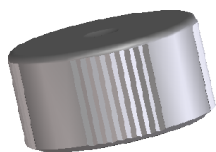
"All dimensions in mm"

Customer drawing subject to change without notice!

Uncontrolled Copy

Prior Issue	Drawn	Approved	Released	CONFIDENTIAL: Information contained in this document or drawing is confidential and proprietary to Greiner Bio-One GmbH. This document may not be reproduced for any reason without written permission from Greiner Bio-One GmbH. All rights of design, invention, and copyright are reserved.
Revision 6	Date 2012/05/09	Date 2024/11/07	Date 2024/11/07	
Date 2022/02/17	Name forb	Name kleber	Name ziegler	

Valid for Item-No.: 717201, 717261



"All dimensions in mm"

Customer drawing subject to change without notice!

Uncontrolled Copy

Prior Issue	Drawn	Approved	Released	CONFIDENTIAL: Information contained in this document or drawing is confidential and proprietary to Greiner Bio-One GmbH. This document may not be reproduced for any reason without written permission from Greiner Bio-One GmbH. All rights of design, invention, and copyright are reserved.
Revision	Date	Date	Date	
6	2012/05/09	2024/11/07	2024/11/07	
Date	Name	Name	Name	
2022/02/17	forb	kleber	ziegler	