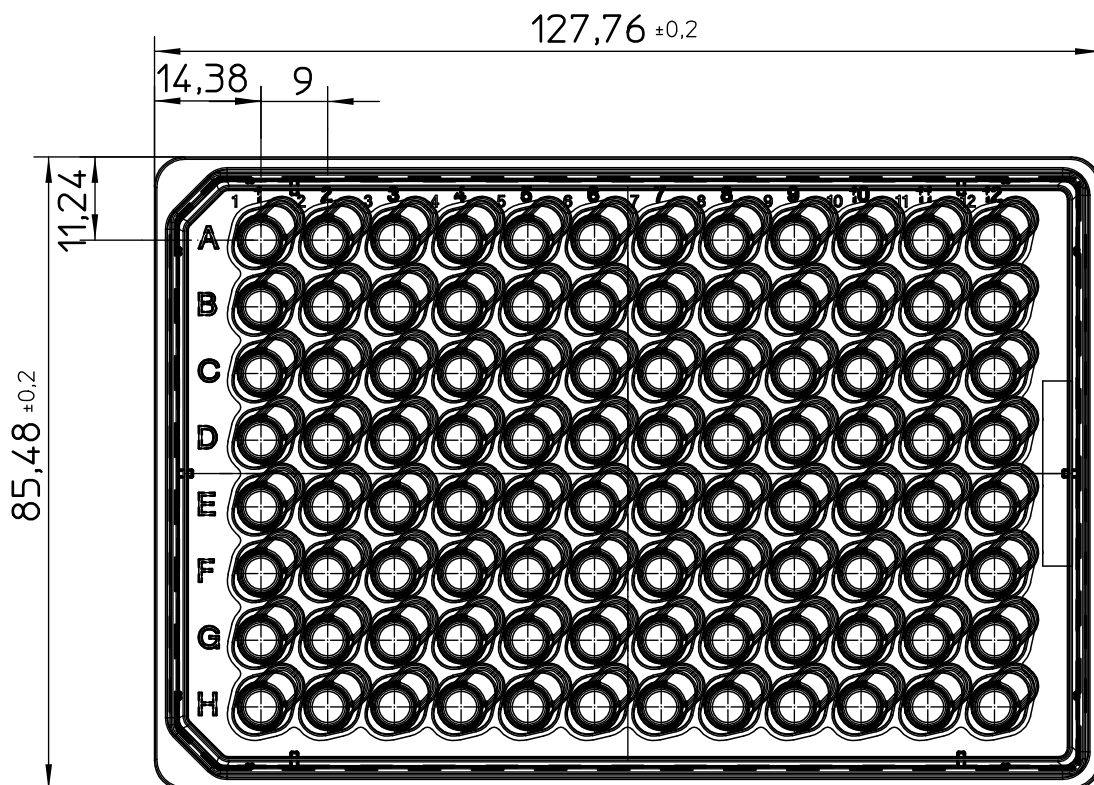
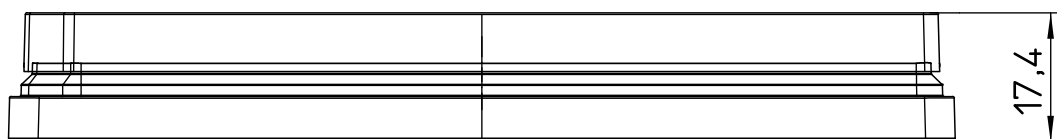
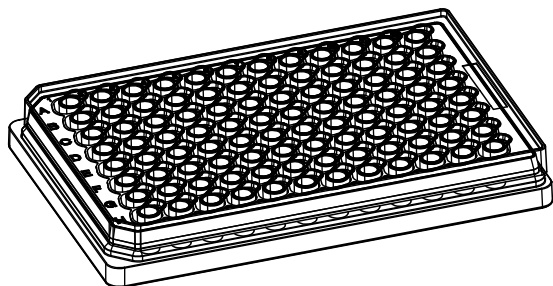


Valid for Item-No.: 655630, 655640, 655641, 655680



D2

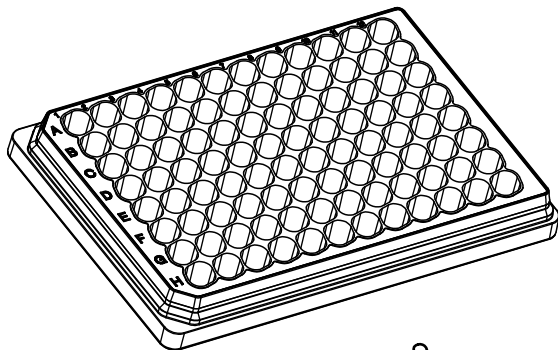
"All dimensions in mm"

Customer drawing subject to change without notice!

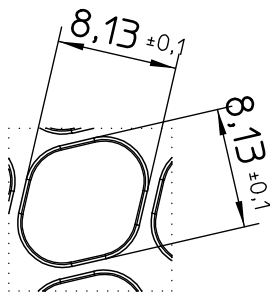
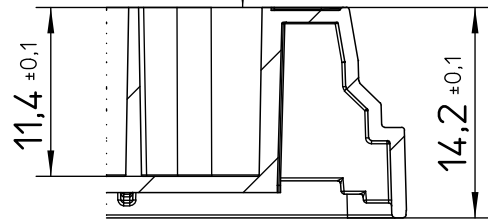
Uncontrolled Copy

Prior Issue	Drawn	Approved	Released	CONFIDENTIAL: Information contained in this document or drawing is confidential and proprietary to Greiner Bio-One GmbH. This document may not be reproduced for any reason without written permission from Greiner Bio-One GmbH. All rights of design, invention, and copyright are reserved.
Revision 4	Date 2020/12/02	Date 2024/07/08	Date 2024/07/08	
Date 2023/11/30	Name forb	Name kleber	Name lang	

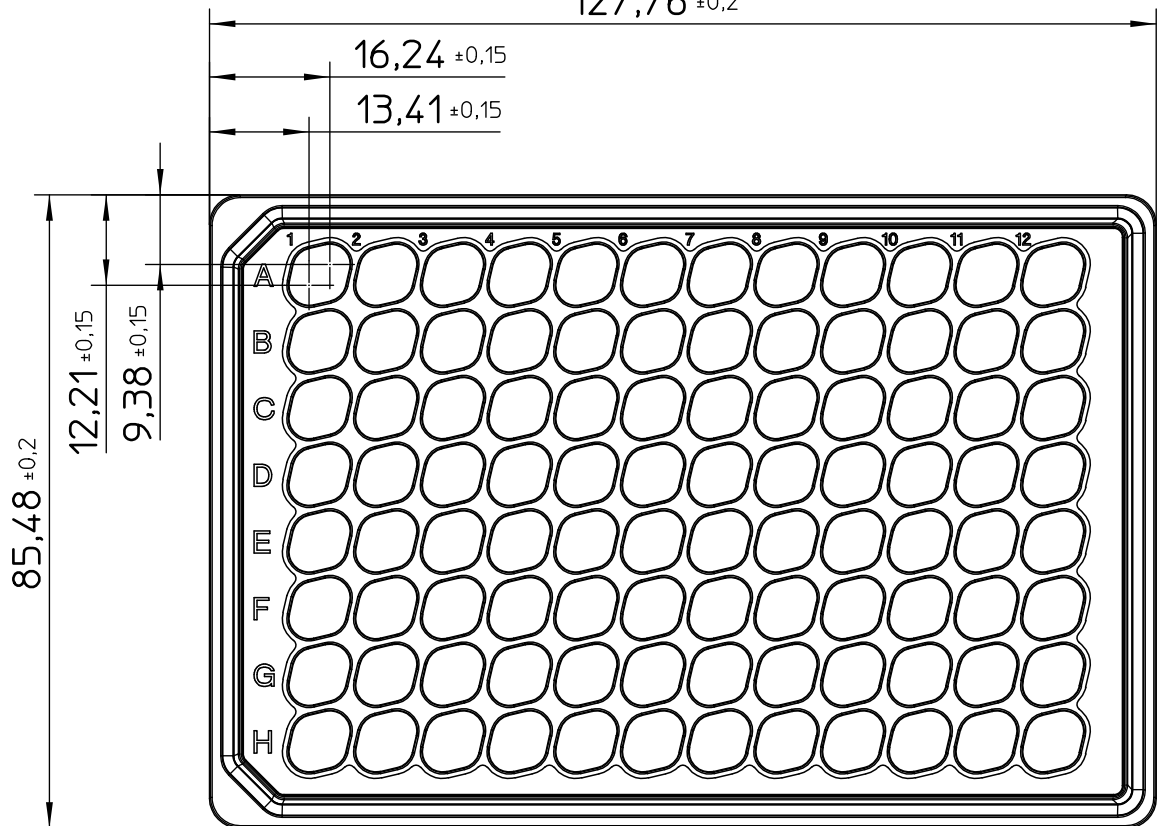
Valid for Item-No.: 655630, 655640, 655641, 655680



Curvature \updownarrow Max.Diff 0.25



127,76 ± 0,2



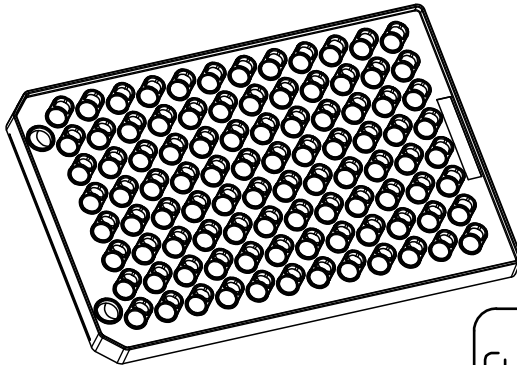
"All dimensions in mm"

Customer drawing subject to change without notice!

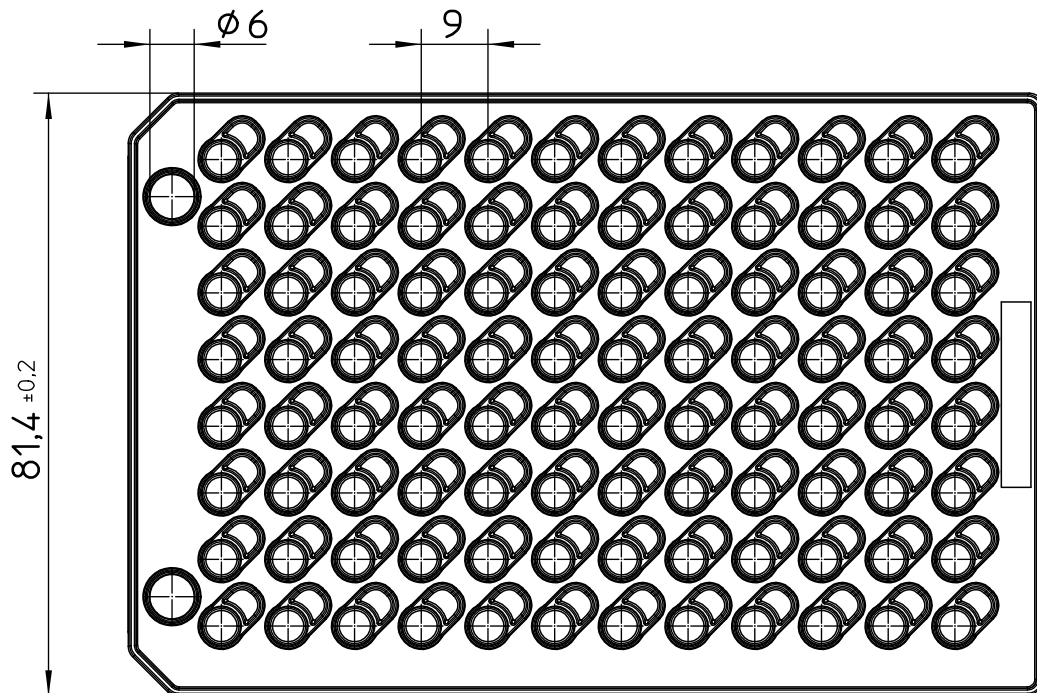
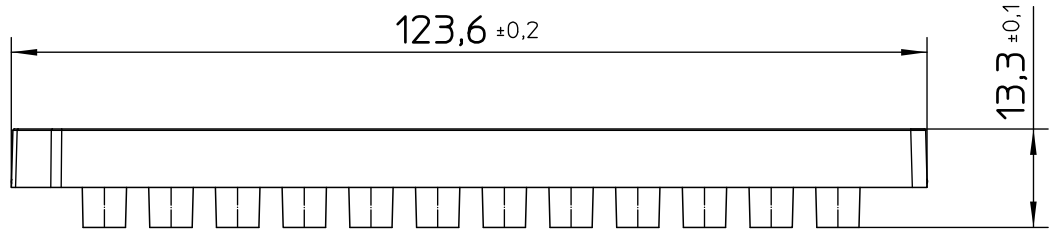
Uncontrolled Copy

Prior Issue	Drawn	Approved	Released	CONFIDENTIAL: Information contained in this document or drawing is confidential and proprietary to Greiner Bio-One GmbH. This document may not be reproduced for any reason without written permission from Greiner Bio-One GmbH. All rights of design, invention, and copyright are reserved.
Revision 4	Date 2020/12/02	Date 2024/07/08	Date 2024/07/08	
Date 2023/11/30	Name forb	Name kleber	Name lang	

Valid for Item-No.: 655630, 655640, 655641, 655680



Curvature \updownarrow Max.Diff 0.25



"All dimensions in mm"

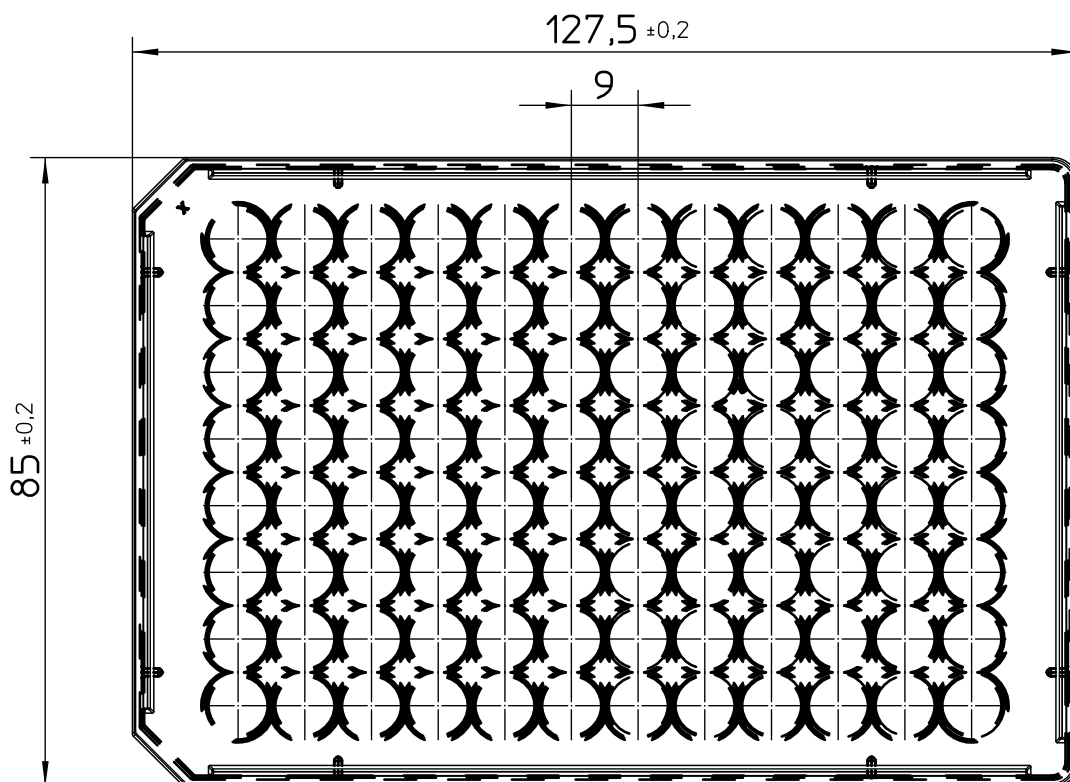
Customer drawing subject to change without notice!

Uncontrolled Copy

Prior Issue	Drawn	Approved	Released	CONFIDENTIAL: Information contained in this document or drawing is confidential and proprietary to Greiner Bio-One GmbH. This document may not be reproduced for any reason without written permission from Greiner Bio-One GmbH. All rights of design, invention, and copyright are reserved.
Revision 4	Date 2020/12/02	Date 2024/07/08	Date 2024/07/08	
Date 2023/11/30	Name forb	Name kleber	Name lang	

Valid for Item-No.: 655630, 655640, 655641, 655680

Curvature \updownarrow Max.Diff 0.30



"All dimensions in mm"

Customer drawing subject to change without notice!

Uncontrolled Copy

Prior Issue	Drawn	Approved	Released	CONFIDENTIAL: Information contained in this document or drawing is confidential and proprietary to Greiner Bio-One GmbH. This document may not be reproduced for any reason without written permission from Greiner Bio-One GmbH. All rights of design, invention, and copyright are reserved.
Revision 4	Date 2020/12/02	Date 2024/07/08	Date 2024/07/08	
Date 2023/11/30	Name forb	Name kleber	Name lang	