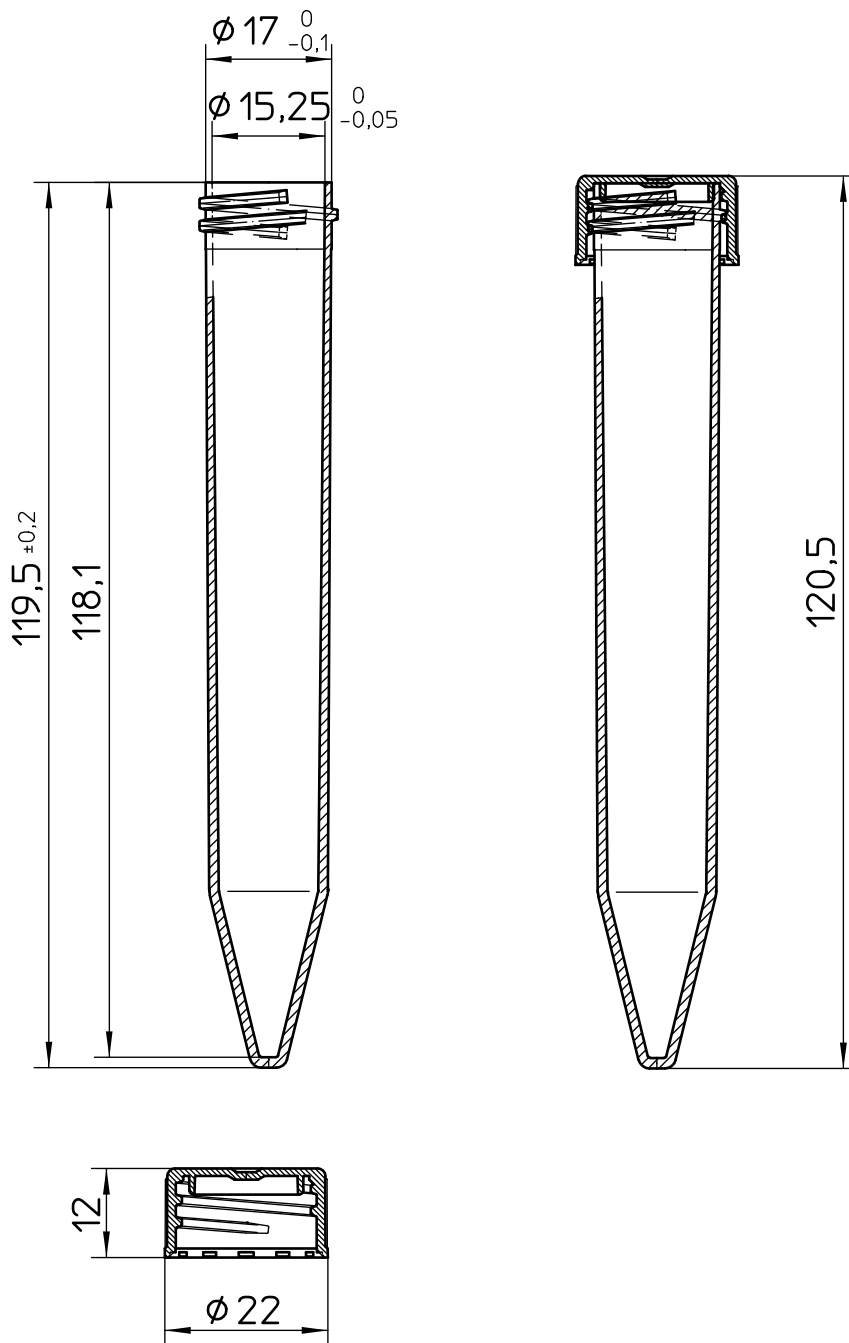


Valid for Item-No.: 188101, 188161, 188171



Item-No. 188101 without Screw Cap

"All dimensions in mm"
Customer drawing subject to change without notice!

Uncontrolled Copy

Prior Issue	Drawn	Approved	Released	CONFIDENTIAL: Information contained in this document or drawing is confidential and proprietary to Greiner Bio-One GmbH. This document may not be reproduced for any reason without written permission from Greiner Bio-One GmbH. All rights of design, invention, and copyright are reserved.
Revision 1	Date 2011/03/11	Date 2021/03/19	Date 2021/03/19	
Date 2011/03/11	Name forb	Name forb	Name kessler	