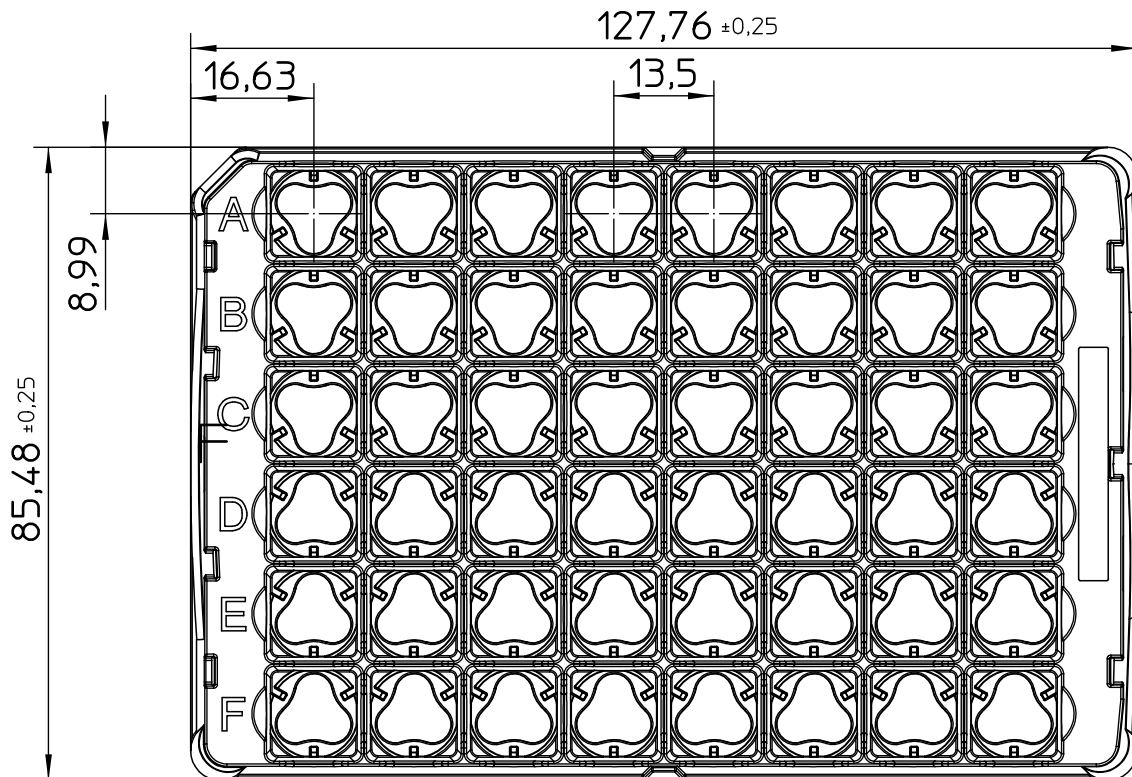
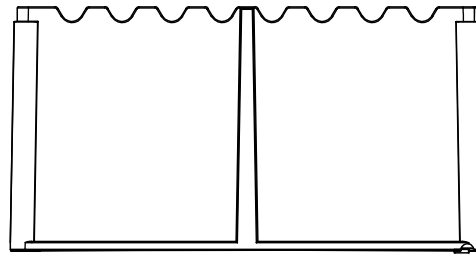
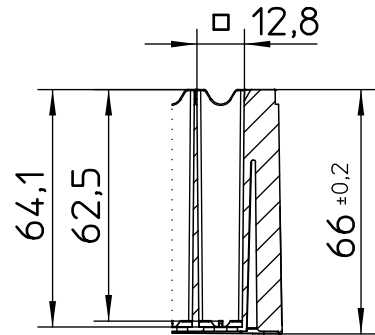
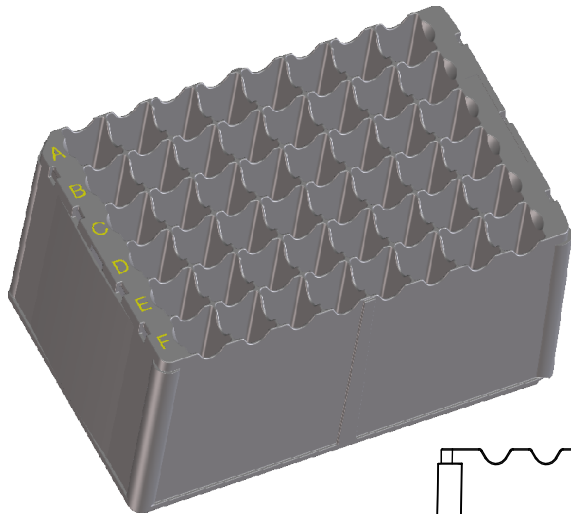


Valid for Item-No.: 803270, 803270-128, 803270-2DG, 803270-012, 803270-013



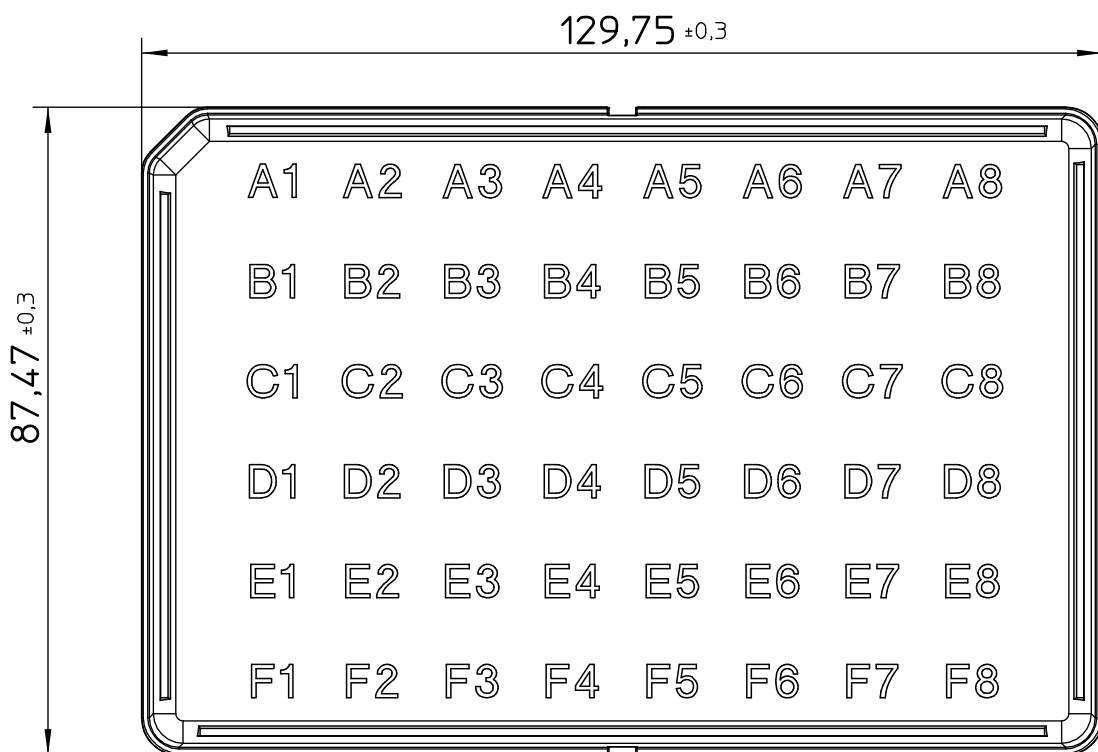
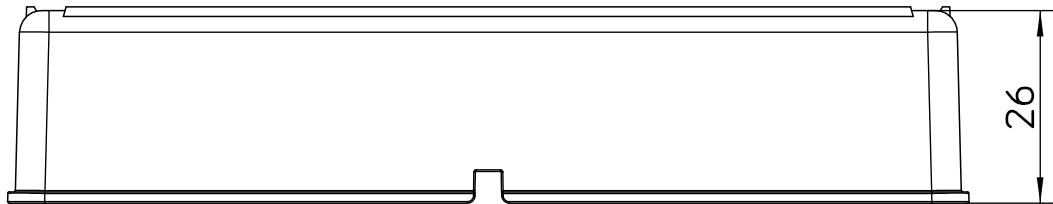
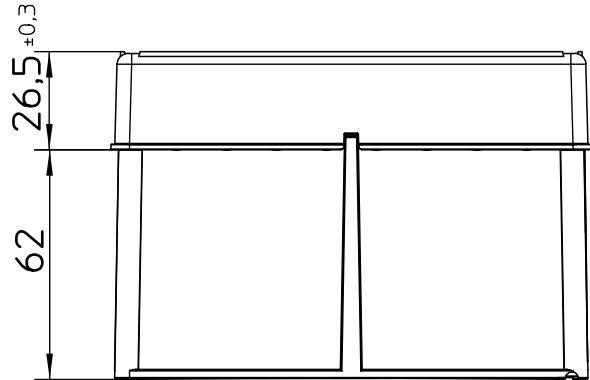
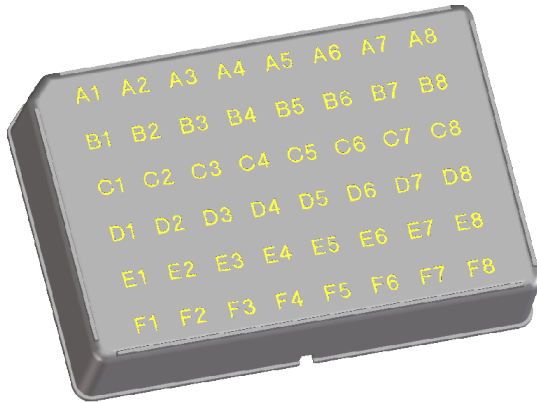
"All dimensions in mm"

Customer drawing subject to change without notice!

Uncontrolled Copy

Prior Issue	Drawn	Approved	Released	CONFIDENTIAL: Information contained in this document or drawing is confidential and proprietary to Greiner Bio-One GmbH. This document may not be reproduced for any reason without written permission from Greiner Bio-One GmbH. All rights of design, invention, and copyright are reserved.
Revision 4	Date 2018/07/23	Date 2022/11/09	Date 2022/11/09	
Date 2020/04/30	Name forb	Name forb	Name kleber	

Valid for Item-No.: 803270, 803270-128, 803270-2DG, 803270-012, 803270-013



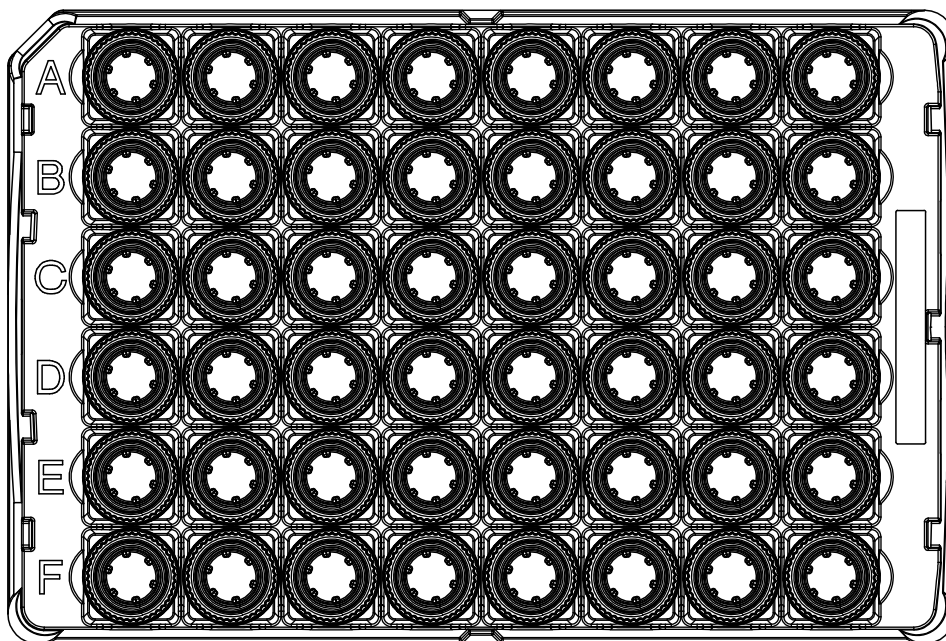
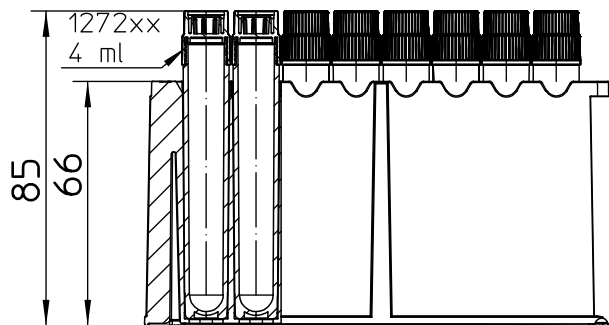
"All dimensions in mm"

Customer drawing subject to change without notice!

Uncontrolled Copy

Prior Issue	Drawn	Approved	Released	CONFIDENTIAL: Information contained in this document or drawing is confidential and proprietary to Greiner Bio-One GmbH. This document may not be reproduced for any reason without written permission from Greiner Bio-One GmbH. All rights of design, invention, and copyright are reserved.
Revision 4	Date 2018/07/23	Date 2022/11/09	Date 2022/11/09	
Date 2020/04/30	Name forb	Name forb	Name kleber	

Valid for Item-No.: 803270, 803270-128, 803270-2DG, 803270-012, 803270-013



"All dimensions in mm"

Customer drawing subject to change without notice!

Uncontrolled Copy

Prior Issue	Drawn	Approved	Released	CONFIDENTIAL: Information contained in this document or drawing is confidential and proprietary to Greiner Bio-One GmbH. This document may not be reproduced for any reason without written permission from Greiner Bio-One GmbH. All rights of design, invention, and copyright are reserved.
Revision 4	Date 2018/07/23	Date 2022/11/09	Date 2022/11/09	
Date 2020/04/30	Name forb	Name forb	Name kleber	