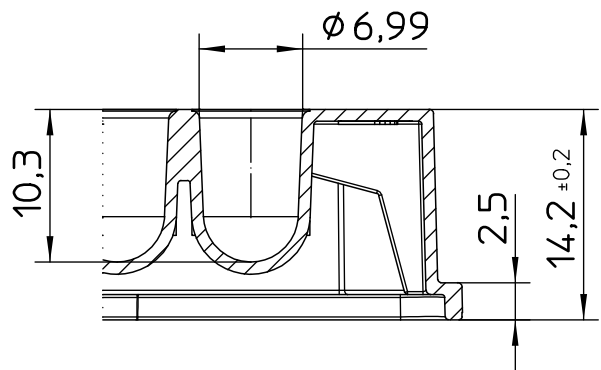
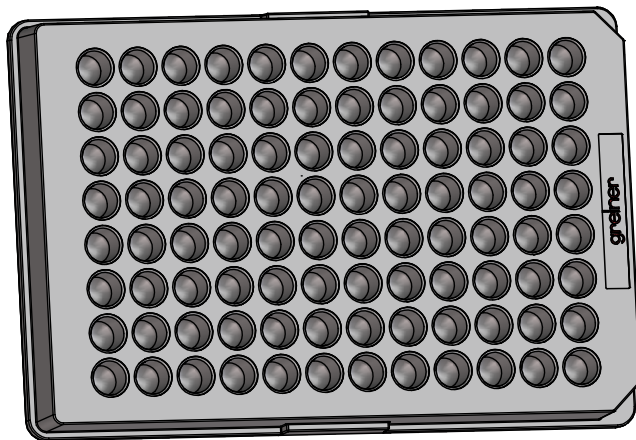
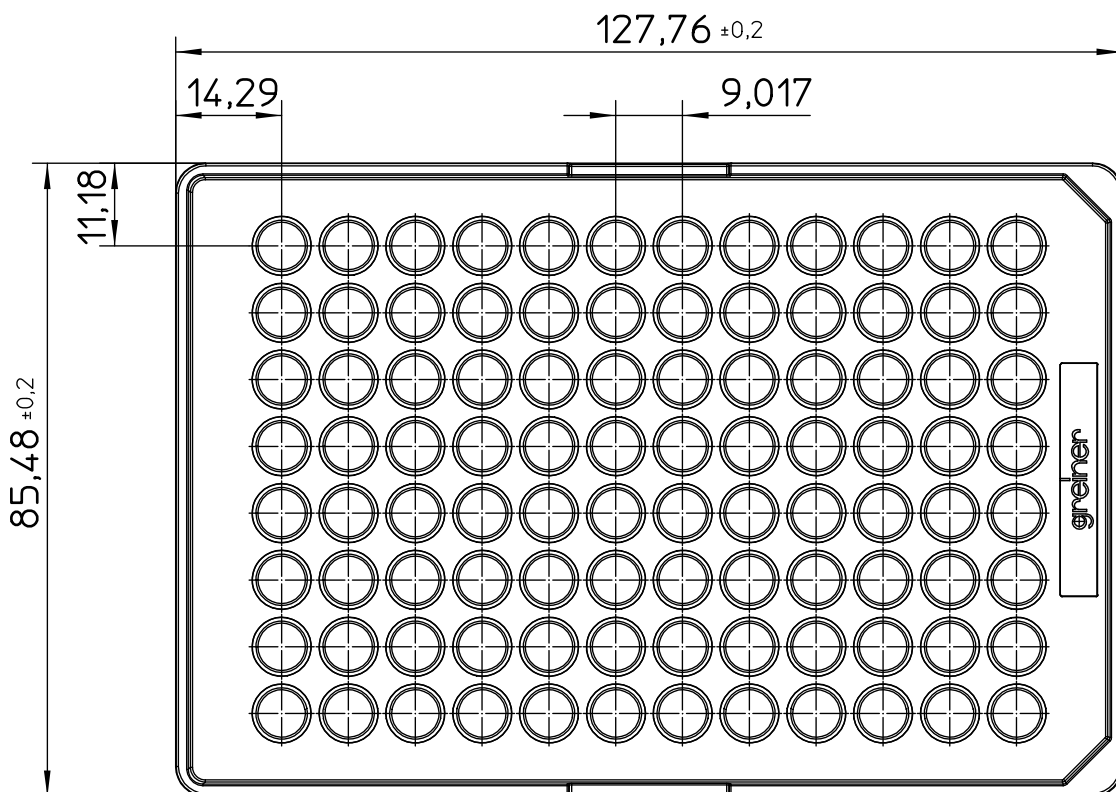
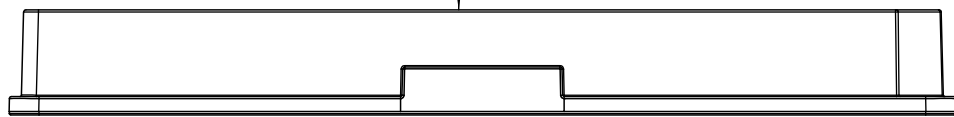


Valid for Item-No.: 650001, 650061



Curvature 0,2



"All dimensions in mm"

Customer drawing subject to change without notice!

Uncontrolled Copy

Prior Issue	Drawn	Approved	Released	CONFIDENTIAL: Information contained in this document or drawing is confidential and proprietary to Greiner Bio-One GmbH. This document may not be reproduced for any reason without written permission from Greiner Bio-One GmbH. All rights of design, invention, and copyright are reserved.
Revision 6	Date 2011/06/01	Date 2022/11/07	Date 2022/11/07	
Date 2020/02/20	Name forb	Name forb	Name kleber	