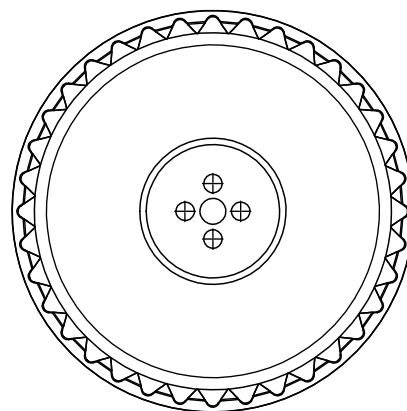
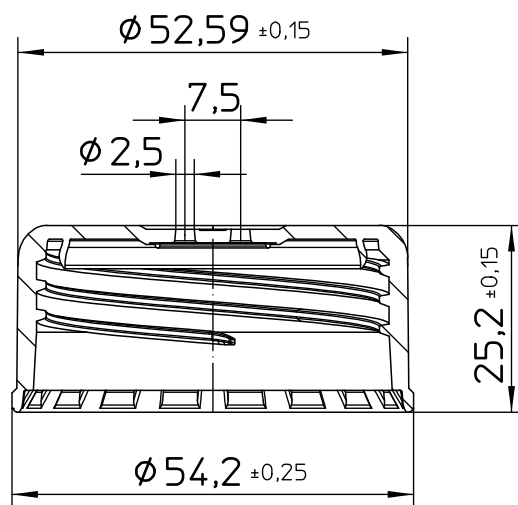
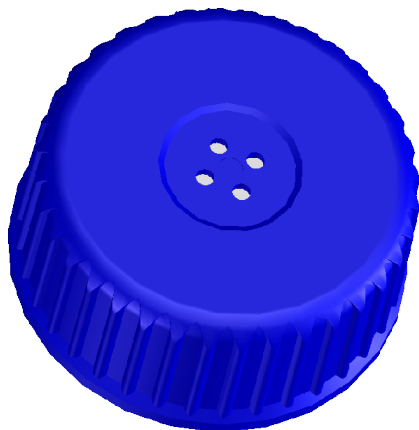


Valid for Item-No.: 383344, 383344-10, 383352-100, 383382,



"All dimensions in mm"  
Customer drawing subject to change without notice!

Uncontrolled Copy

Prior Issue	Drawn	Approved	Released	CONFIDENTIAL: Information contained in this document or drawing is confidential and proprietary to Greiner Bio-One GmbH. This document may not be reproduced for any reason without written permission from Greiner Bio-One GmbH. All rights of design, invention, and copyright are reserved.
Revision 1	Date 2022/03/03	Date 2023/04/04	Date 2023/04/04	
Date 2022/03/03	Name forb	Name forb	Name lang	