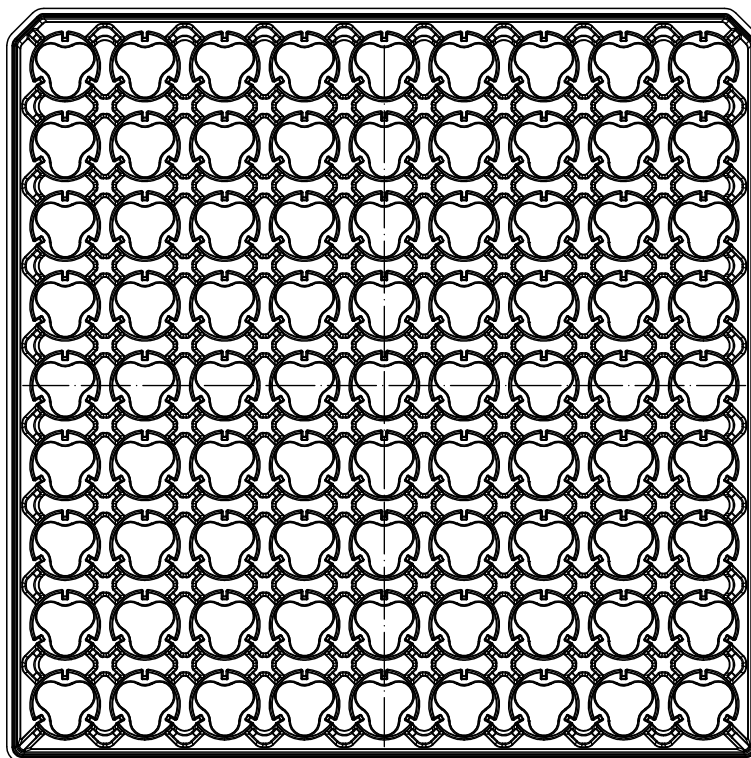
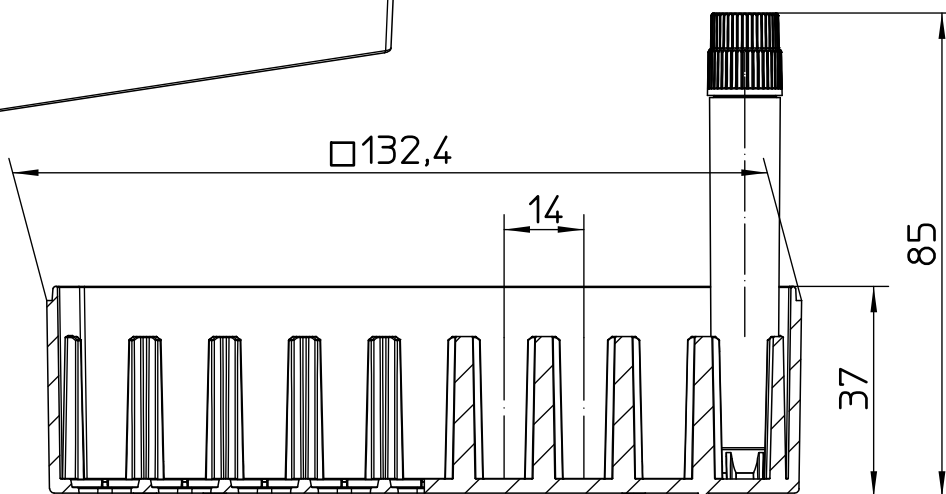
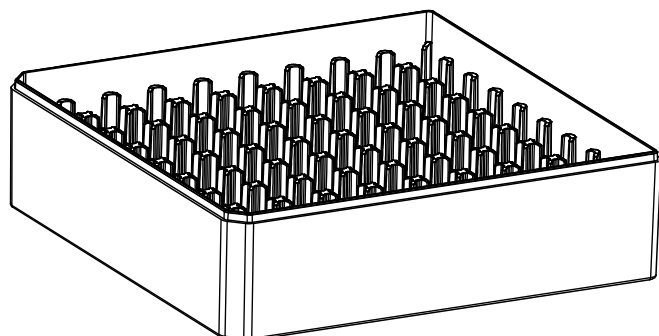


Valid for Item-No.: 802506, 802506-128, 802506-2DG



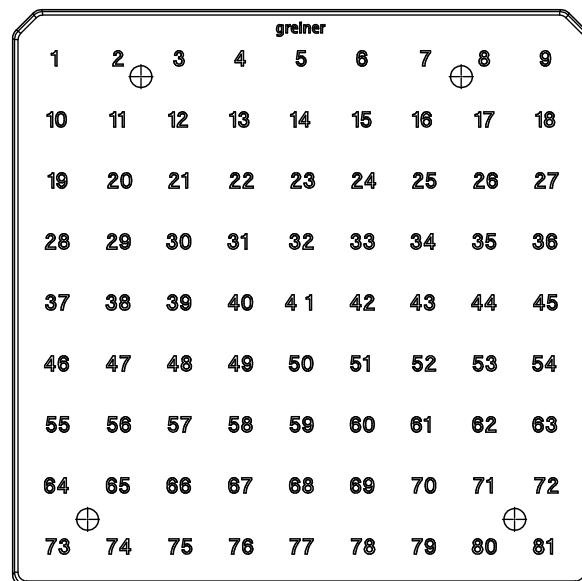
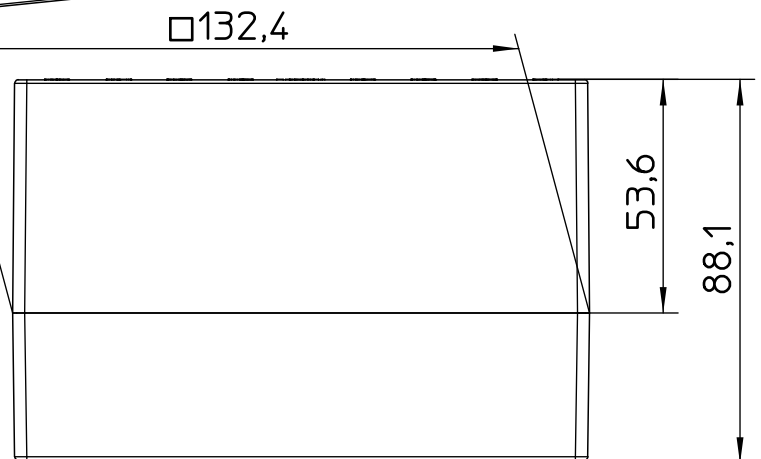
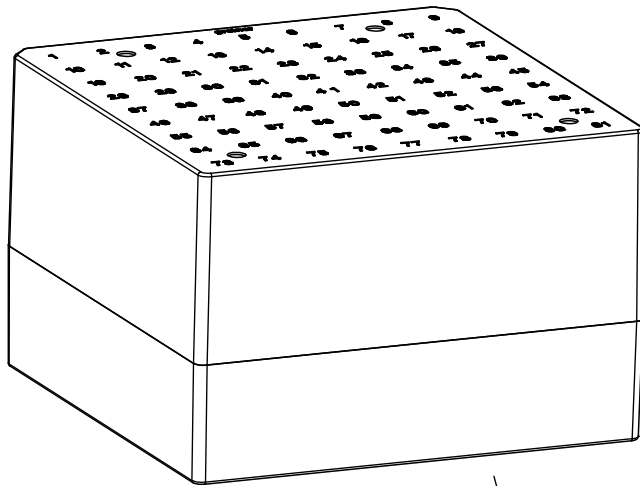
"All dimensions in mm"

Customer drawing subject to change without notice!

Uncontrolled Copy

Prior Issue	Drawn	Approved	Released	CONFIDENTIAL: Information contained in this document or drawing is confidential and proprietary to Greiner Bio-One GmbH. This document may not be reproduced for any reason without written permission from Greiner Bio-One GmbH. All rights of design, invention, and copyright are reserved.
Revision 3	Date 2014/06/25	Date 2022/11/16	Date 2022/11/16	
Date 2020/05/06	Name schwarzj	Name forb	Name kleber	

Valid for Item-No.: 802506, 802506-128, 802506-2DG



"All dimensions in mm"

Customer drawing subject to change without notice!

Uncontrolled Copy

Prior Issue	Drawn	Approved	Released	CONFIDENTIAL: Information contained in this document or drawing is confidential and proprietary to Greiner Bio-One GmbH. This document may not be reproduced for any reason without written permission from Greiner Bio-One GmbH. All rights of design, invention, and copyright are reserved.
Revision 3	Date 2014/06/25	Date 2022/11/16	Date 2022/11/16	
Date 2020/05/06	Name schwarzj	Name forb	Name kleber	