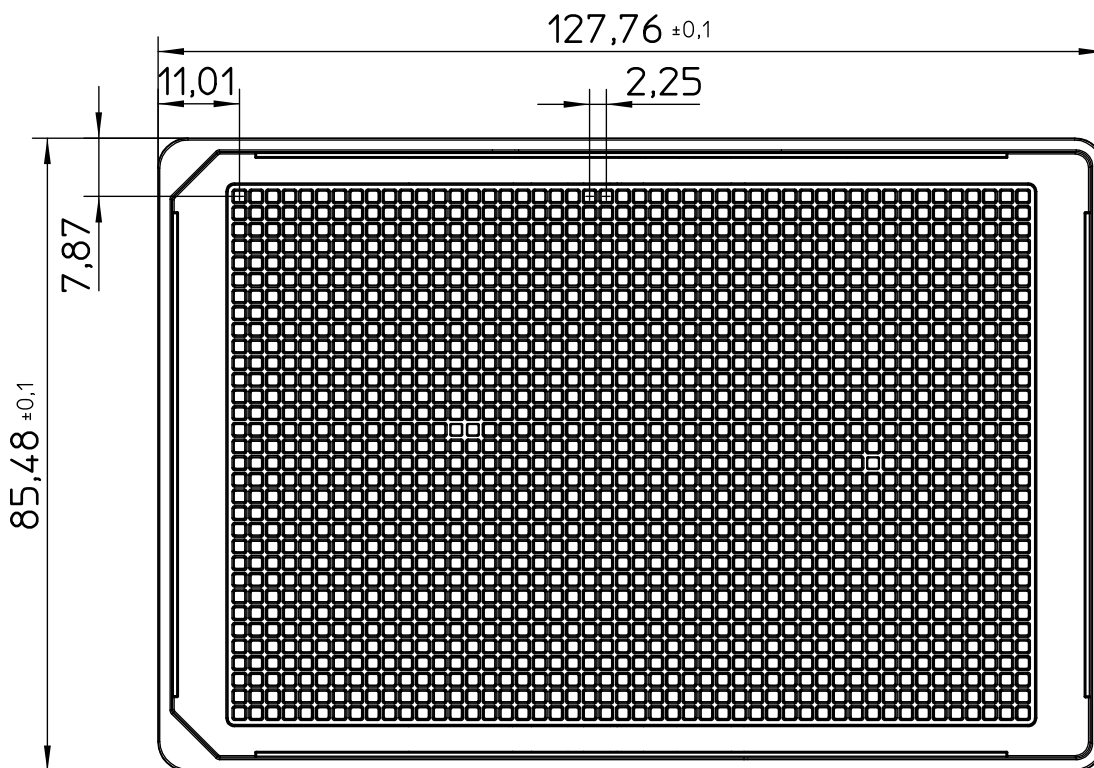
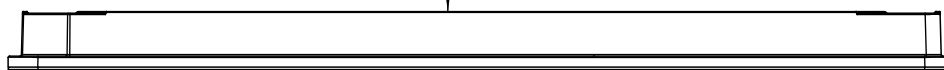


Curvature max.0.15



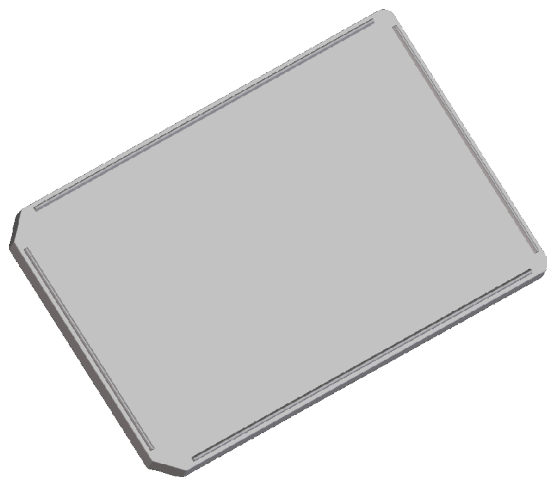
"All dimensions in mm"

Customer drawing subject to change without notice!

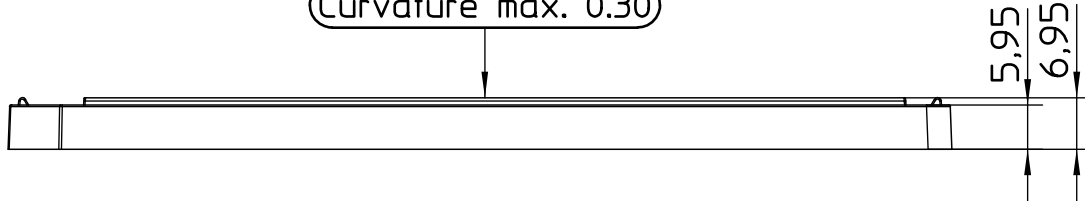
Uncontrolled Copy

Prior Issue	Drawn	Approved	Released	CONFIDENTIAL: Information contained in this document or drawing is confidential and proprietary to Greiner Bio-One GmbH. This document may not be reproduced for any reason without written permission from Greiner Bio-One GmbH. All rights of design, invention, and copyright are reserved.
Revision	Date	Date	Date	
2	2019/06/06	2021/10/13	2021/10/13	
Date	Name	Name	Name	
2019/06/06	forb	forb	schwarzj	

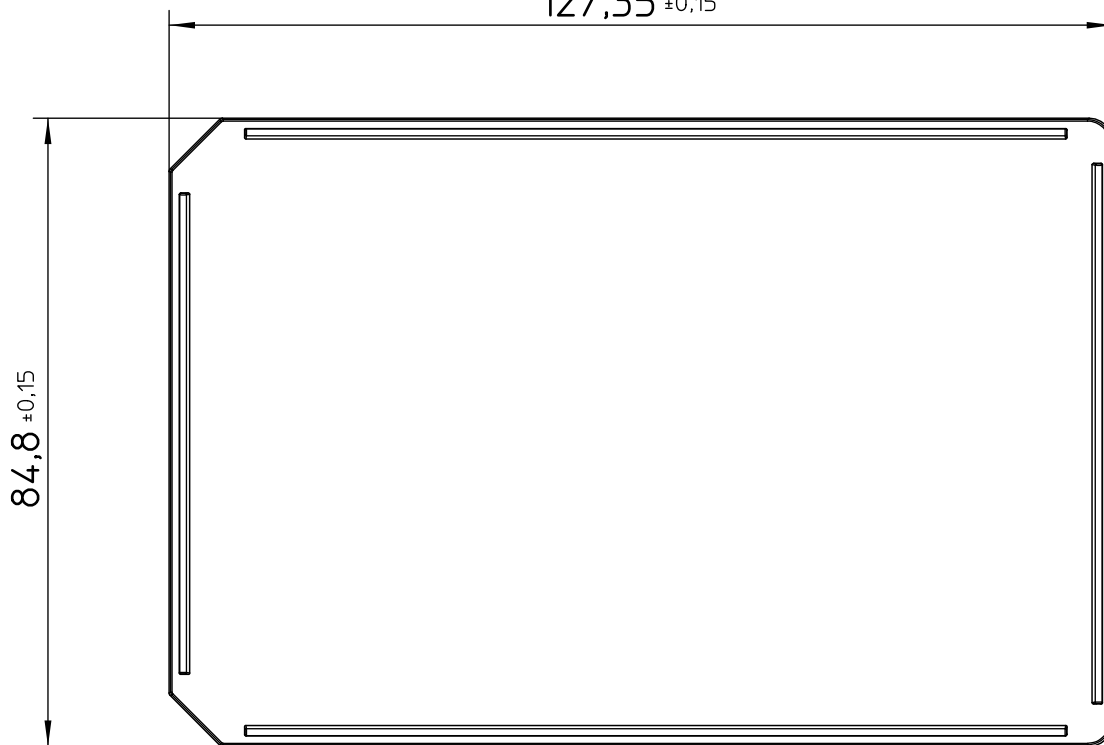
Valid for Item-No.: 789979



Curvature max. 0.30



127,35 ±0,15



"All dimensions in mm"

Customer drawing subject to change without notice!

Uncontrolled Copy

Prior Issue	Drawn	Approved	Released	CONFIDENTIAL: Information contained in this document or drawing is confidential and proprietary to Greiner Bio-One GmbH. This document may not be reproduced for any reason without written permission from Greiner Bio-One GmbH. All rights of design, invention, and copyright are reserved.
Revision 2	Date 2019/06/06	Date 2021/10/13	Date 2021/10/13	
Date 2019/06/06	Name forb	Name forb	Name schwarzj	