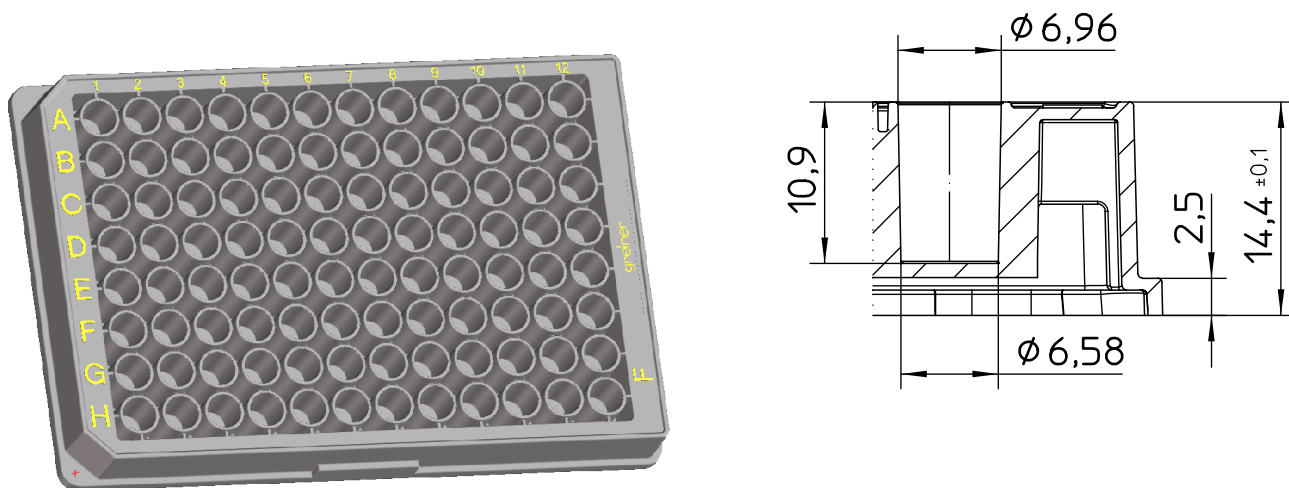
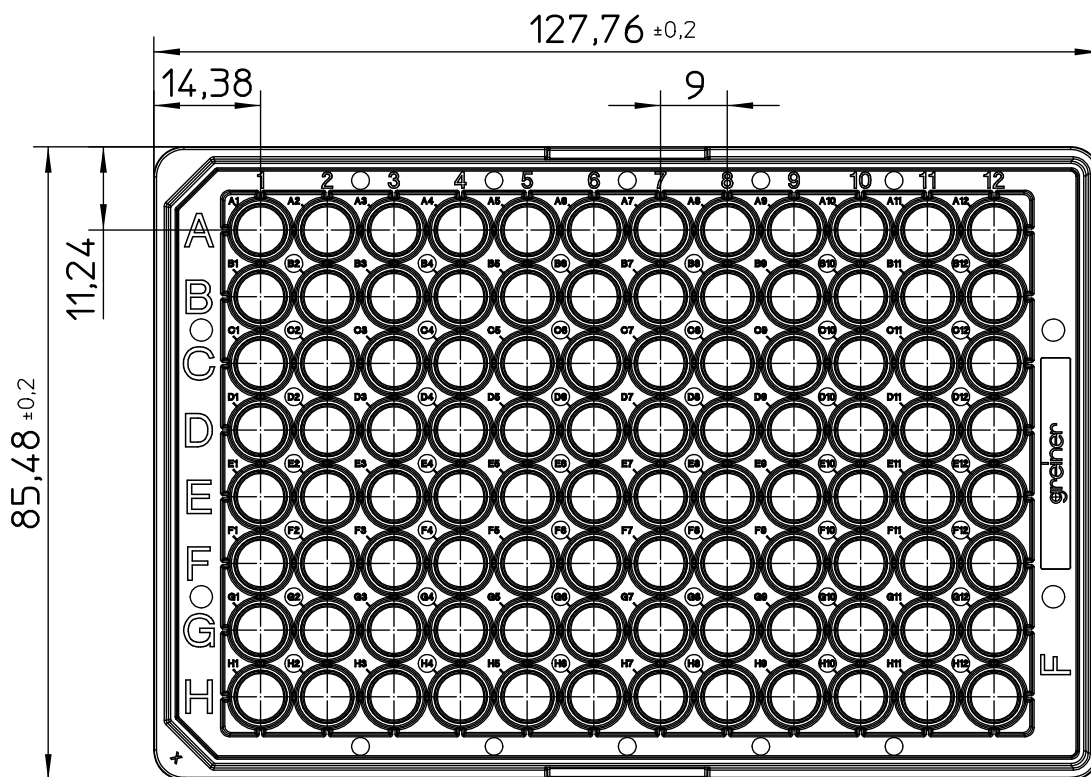
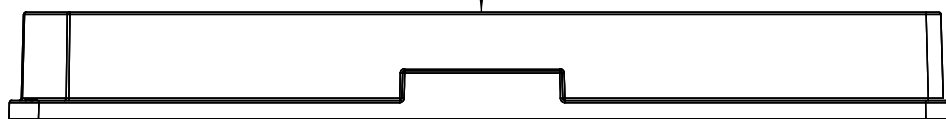


Valid for Item-No.: 655083, 655086



Curvature max.0,2



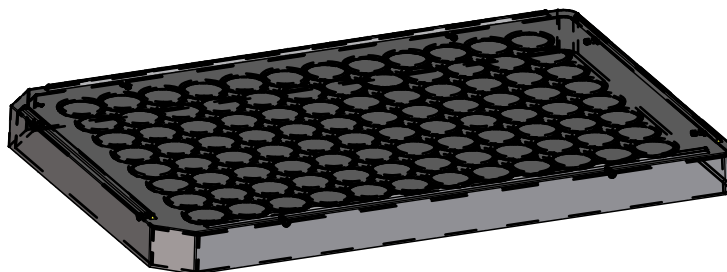
"All dimensions in mm"

Customer drawing subject to change without notice!

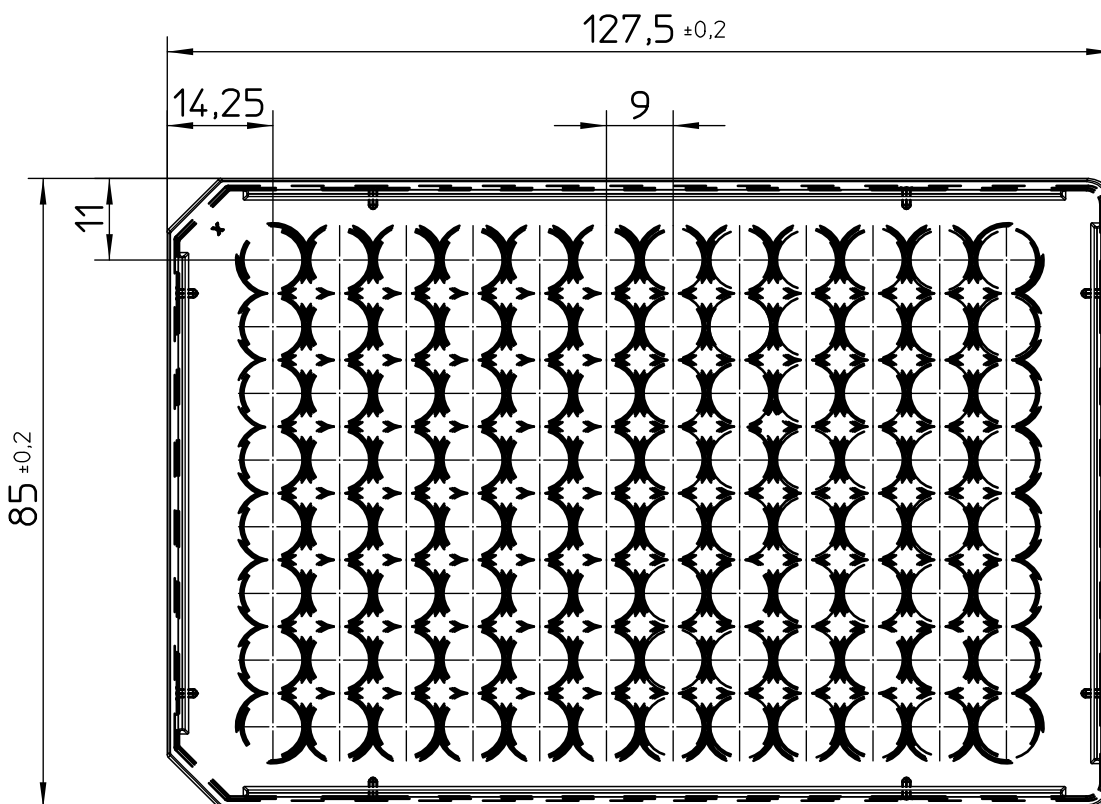
Uncontrolled Copy

Prior Issue	Drawn	Approved	Released	CONFIDENTIAL: Information contained in this document or drawing is confidential and proprietary to Greiner Bio-One GmbH. This document may not be reproduced for any reason without written permission from Greiner Bio-One GmbH. All rights of design, invention, and copyright are reserved.
Revision 4	Date 2011/03/22	Date 2022/11/14	Date 2022/11/14	
Date 2020/03/27	Name forb	Name forb	Name kleber	

Valid for Item-No.: 655083, 655086



Curvature +0,3  
-0,3



"All dimensions in mm"

Customer drawing subject to change without notice!

Uncontrolled Copy

Prior Issue	Drawn	Approved	Released	CONFIDENTIAL: Information contained in this document or drawing is confidential and proprietary to Greiner Bio-One GmbH. This document may not be reproduced for any reason without written permission from Greiner Bio-One GmbH. All rights of design, invention, and copyright are reserved.
Revision 4	Date 2011/03/22	Date 2022/11/14	Date 2022/11/14	
Date 2020/03/27	Name forb	Name forb	Name kleber	