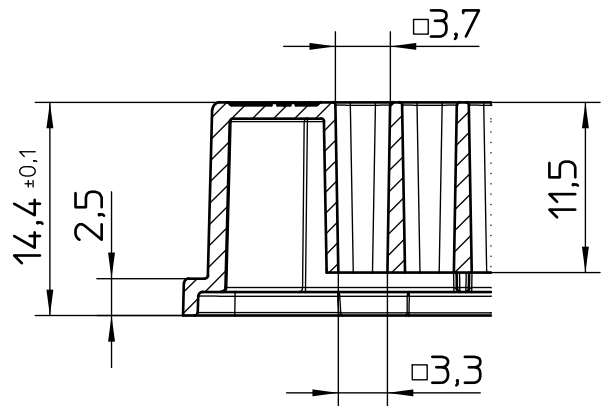
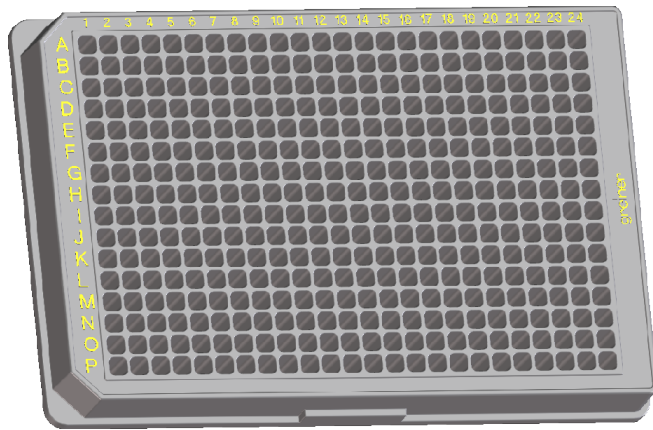
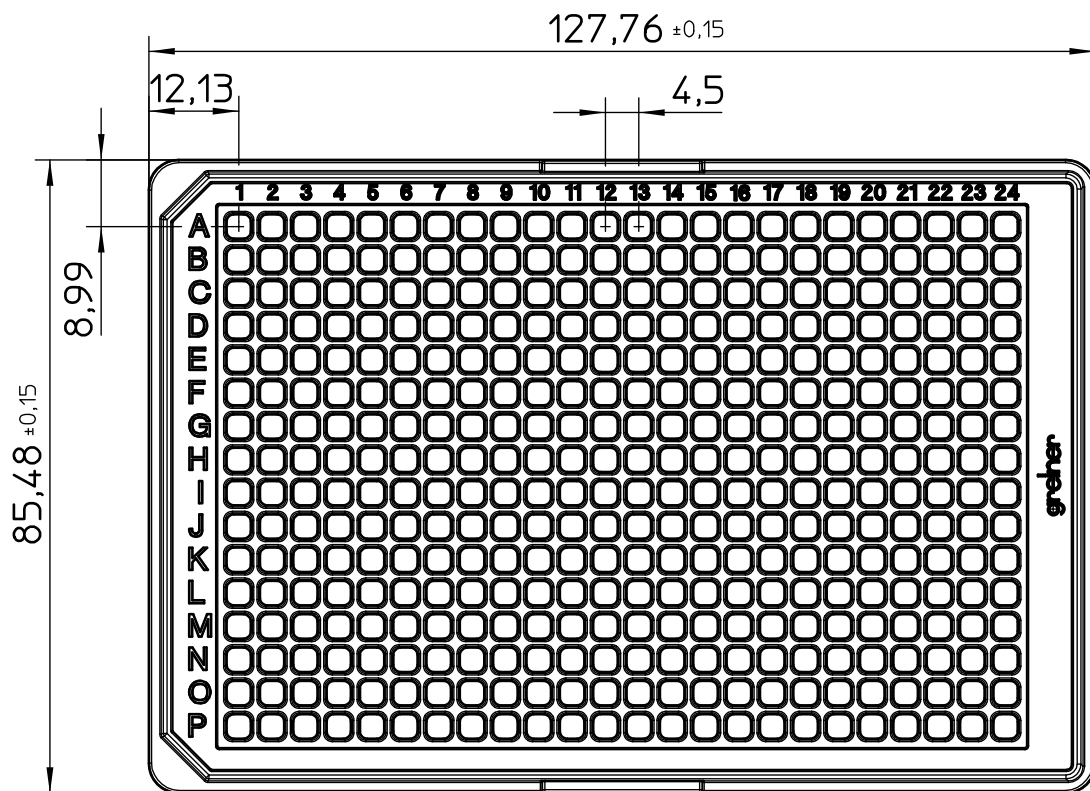
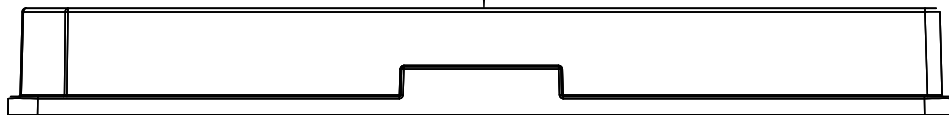


Valid for Item-No.: 781903, 781906



Curvature +0,15
-0,15



"All dimensions in mm"

Customer drawing subject to change without notice!

Uncontrolled Copy

Prior Issue	Drawn	Approved	Released	CONFIDENTIAL: Information contained in this document or drawing is confidential and proprietary to Greiner Bio-One GmbH. This document may not be reproduced for any reason without written permission from Greiner Bio-One GmbH. All rights of design, invention, and copyright are reserved.
Revision 2	Date 2011/08/30	Date 2021/10/13	Date 2021/10/13	
Date 2015/01/23	Name forb	Name forb	Name schwarzj	