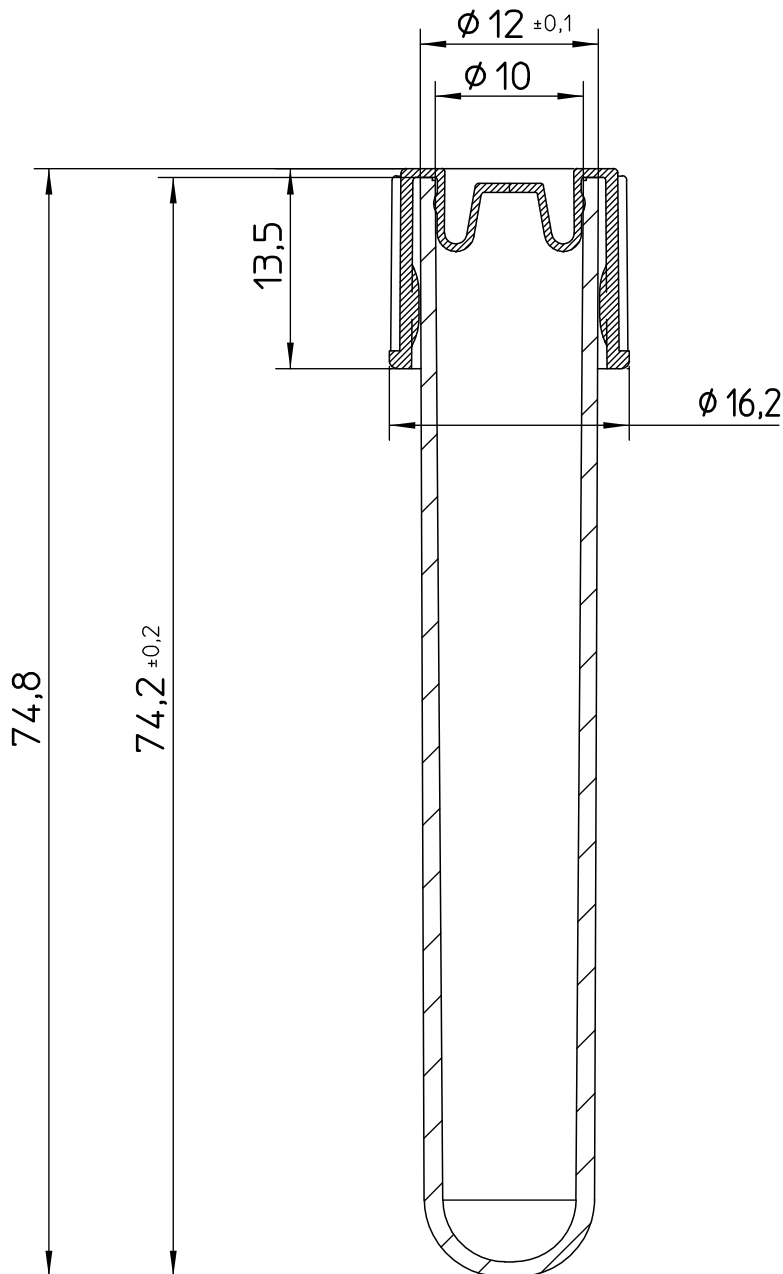


Valid for Item-No.: 115261, 115262



"All dimensions in mm"

Customer drawing subject to change without notice!

Uncontrolled Copy

| Prior Issue        | Drawn              | Approved           | Released           | CONFIDENTIAL: Information contained in this document or drawing is confidential and proprietary to Greiner Bio-One GmbH. This document may not be reproduced for any reason without written permission from Greiner Bio-One GmbH. All rights of design, invention, and copyright are reserved. |
|--------------------|--------------------|--------------------|--------------------|--|
| Revision<br>3      | Date<br>2011/03/11 | Date<br>2022/11/07 | Date<br>2022/11/07 |  |
| Date<br>2019/03/26 | Name<br>forb       | Name<br>forb       | Name<br>kleber     |  |