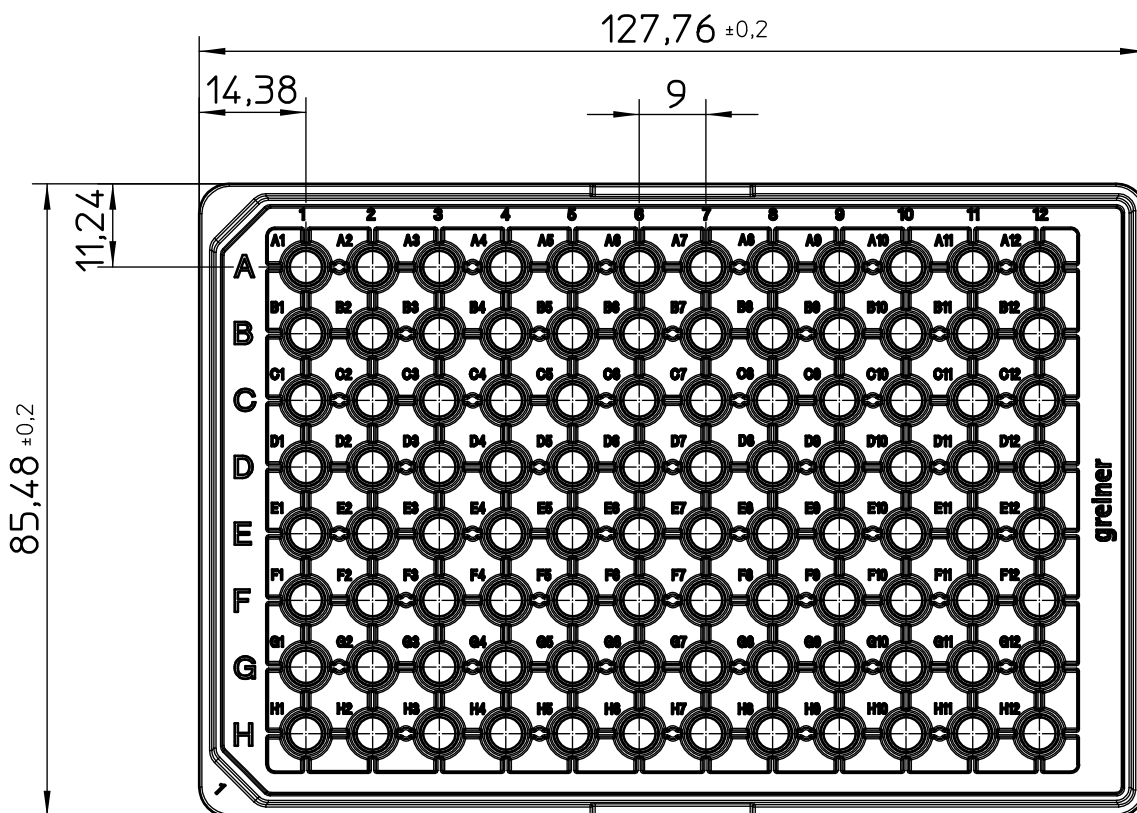


Curvature max. 0,20

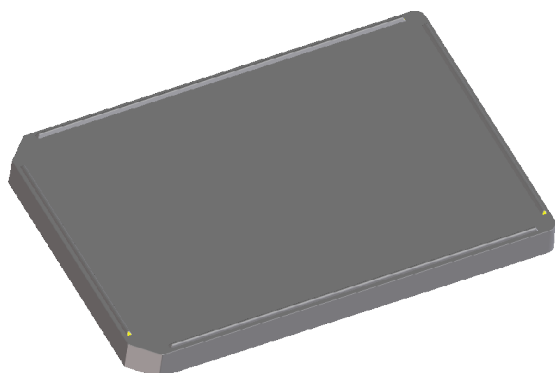


Customer drawing subject to change without notice!

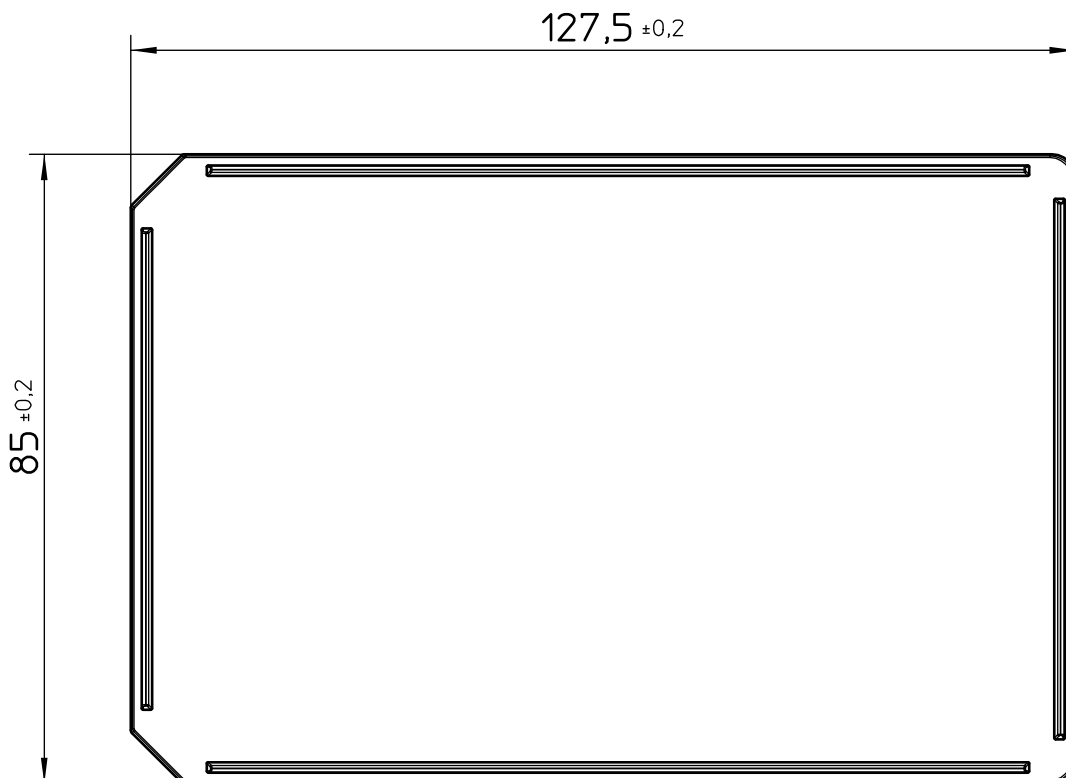
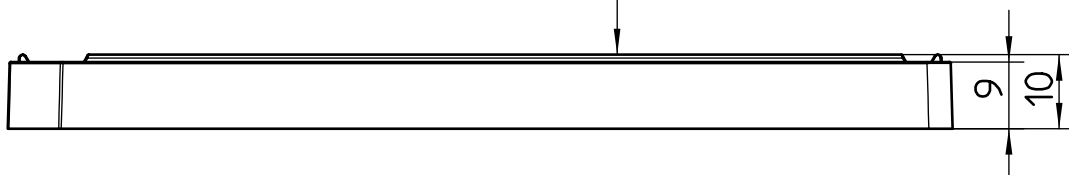
Uncontrolled Copy

| | | | | |
|--------------------|--------------------|--------------------|--------------------|--|
| Prior Issue | Drawn | Approved | Released | CONFIDENTIAL: Information contained in this document or drawing is confidential and proprietary to Greiner Bio-One GmbH. This document may not be reproduced for any reason without written permission from Greiner Bio-One GmbH. All rights of design, invention, and copyright are reserved. |
| Revision 1 | Date 2015/03/19 | Date 2017/02/03 | Date 2024/02/27 | |
| Date 2015/03/19 | Name forb | Name kessler | Name kleber | |

Valid for Item-No.: 675083, 675086



Curvature +0.30
-0.30



"All dimensions in mm"

Customer drawing subject to change without notice!

Uncontrolled Copy

| Prior Issue | Drawn | Approved | Released | CONFIDENTIAL: Information contained in this document or drawing is confidential and proprietary to Greiner Bio-One GmbH. This document may not be reproduced for any reason without written permission from Greiner Bio-One GmbH. All rights of design, invention, and copyright are reserved. |
|-----------------|-----------------|-----------------|-----------------|--|
| Revision 1 | Date 2015/03/19 | Date 2017/02/03 | Date 2024/02/27 | |
| Date 2015/03/19 | Name forb | Name kessler | Name kleber | |