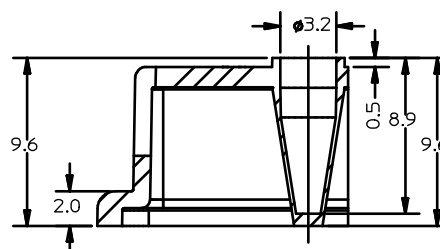
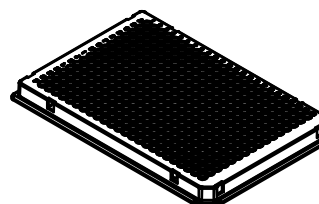
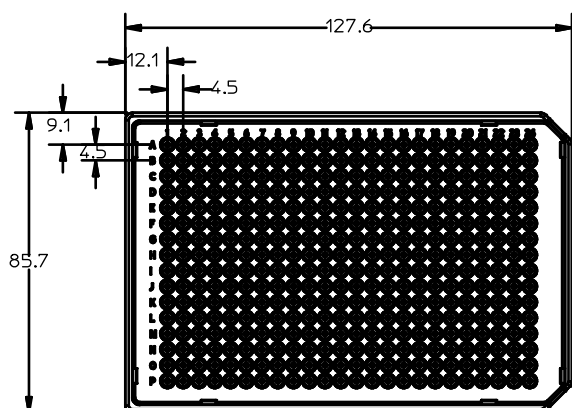


Valid for Item-No.: 785235, 785286



"All dimensions in mm"

Customer drawing subject to change without notice!

Uncontrolled Copy

Prior Issue	Drawn	Approved	Released	CONFIDENTIAL: Information contained in this document or drawing is confidential and proprietary to Greiner Bio-One GmbH. This document may not be reproduced for any reason without written permission from Greiner Bio-One GmbH. All rights of design, invention, and copyright are reserved.
Revision	Date	Date	Date	
2	2016/12/12	2021/10/13	2021/10/13	
Date	Name	Name	Name	
2017/01/19	forb	forb	schwarzj	