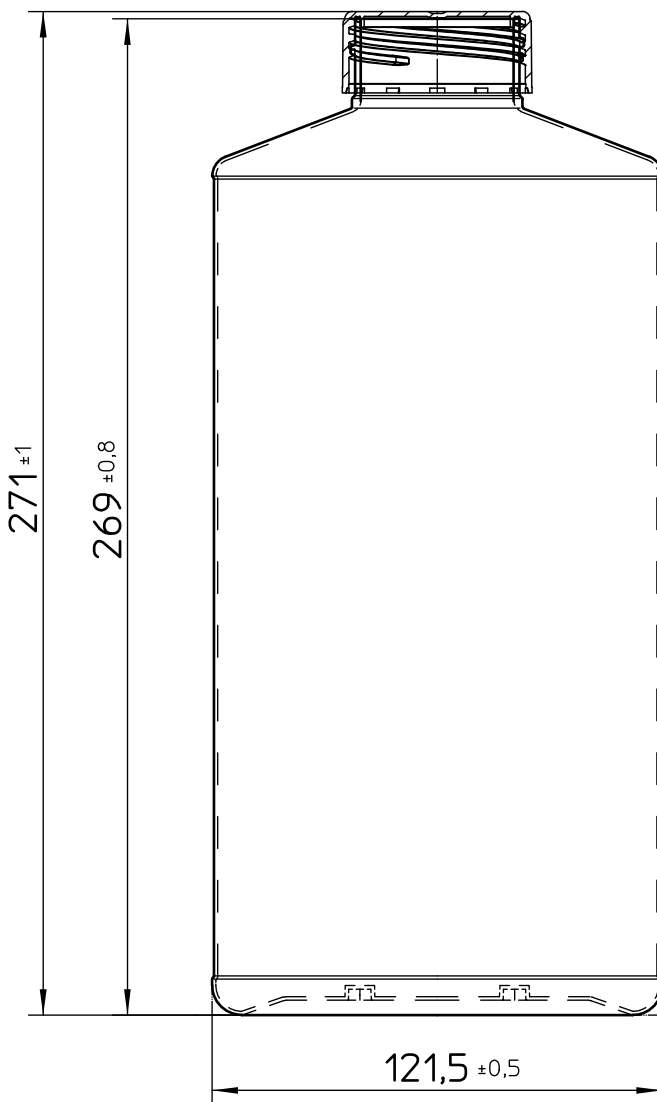


Valid for Item-No.: 680060, 680065



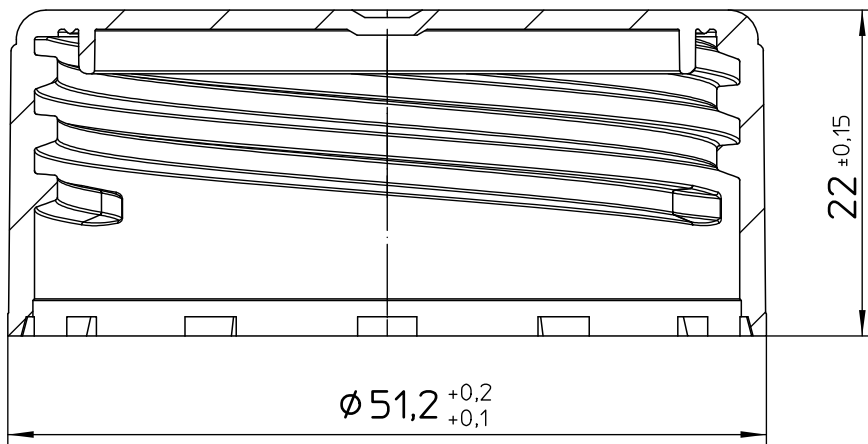
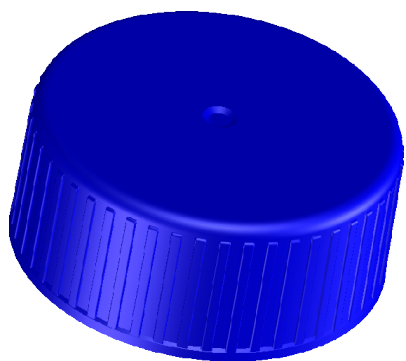
"All dimensions in mm"

Customer drawing subject to change without notice!

Uncontrolled Copy

Prior Issue	Drawn	Approved	Released	CONFIDENTIAL: Information contained in this document or drawing is confidential and proprietary to Greiner Bio-One GmbH. This document may not be reproduced for any reason without written permission from Greiner Bio-One GmbH. All rights of design, invention, and copyright are reserved.
Revision 2	Date 2013/10/25	Date 2023/06/20	Date 2023/06/23	
Date 2020/04/14	Name schwarzj	Name forb	Name kessler	

Valid for Item-No.: 680060, 680065



"All dimensions in mm"

Customer drawing subject to change without notice!

Uncontrolled Copy

Prior Issue	Drawn	Approved	Released	<small>CONFIDENTIAL: Information contained in this document or drawing is confidential and proprietary to Greiner Bio-One GmbH. This document may not be reproduced for any reason without written permission from Greiner Bio-One GmbH. All rights of design, invention, and copyright are reserved.</small>
Revision 2	Date 2013/10/25	Date 2023/06/20	Date 2023/06/23	
Date 2020/04/14	Name schwarzj	Name forb	Name kessler	