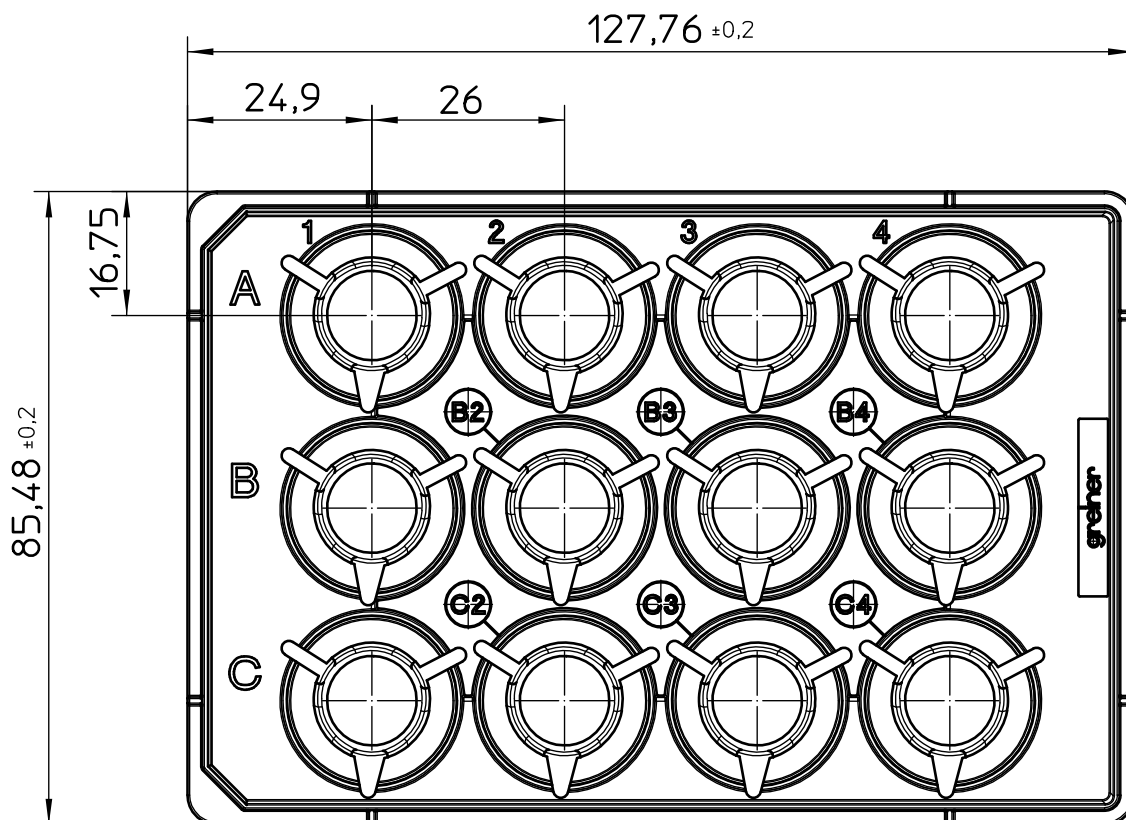
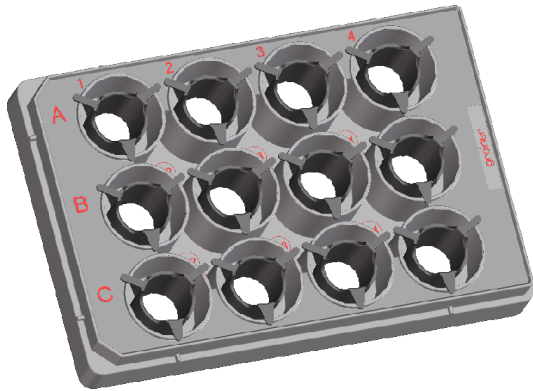


Valid for Item-No.: 665610, 665630, 665631, 665638, 665640, 665641



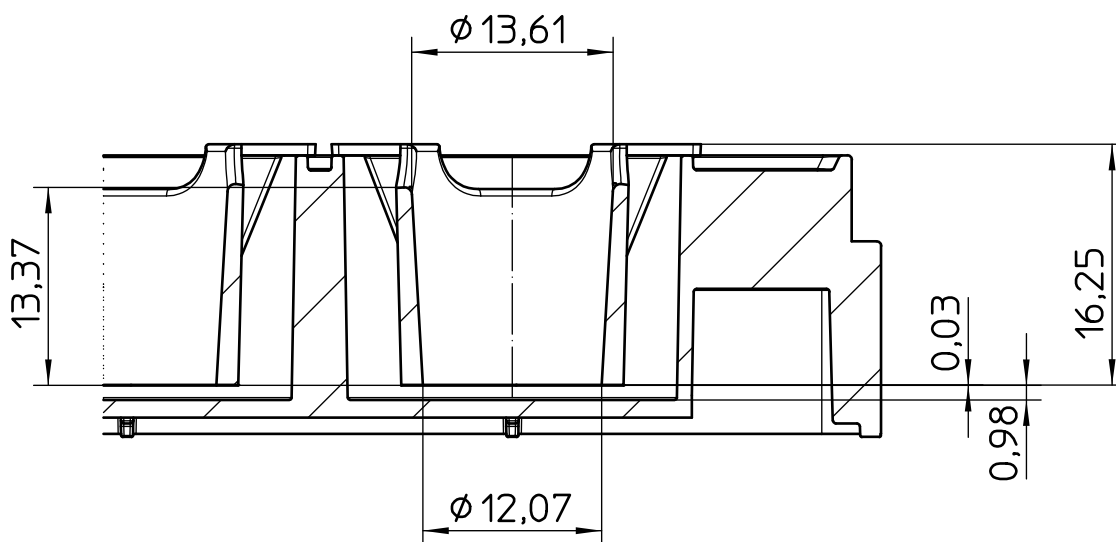
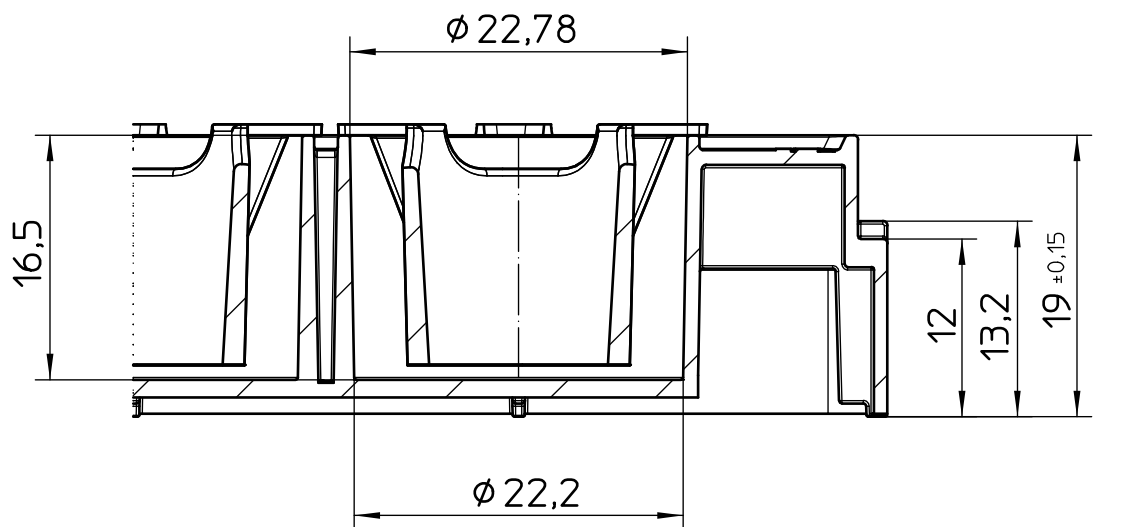
"All dimensions in mm"

Customer drawing subject to change without notice!

Uncontrolled Copy

| Prior Issue | Drawn | Approved | Released | CONFIDENTIAL: Information contained in this document or drawing is confidential and proprietary to Greiner Bio-One GmbH. This document may not be reproduced for any reason without written permission from Greiner Bio-One GmbH. All rights of design, invention, and copyright are reserved. |
|-----------------|-----------------|-----------------|-----------------|--|
| Revision 5 | Date 2011/06/21 | Date 2022/11/04 | Date 2022/11/07 | |
| Date 2022/08/19 | Name forb | Name forb | Name kleber | |

Valid for Item-No.: 665610, 665630, 665631, 665638, 665640, 665641



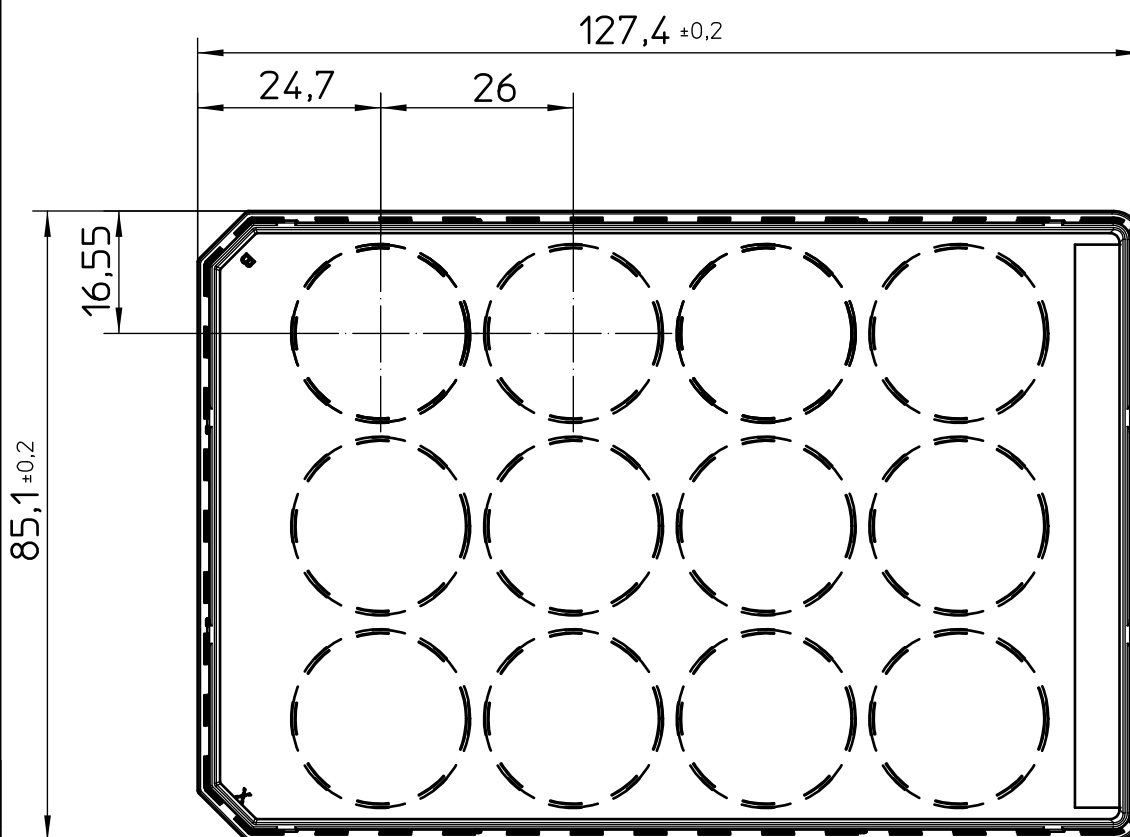
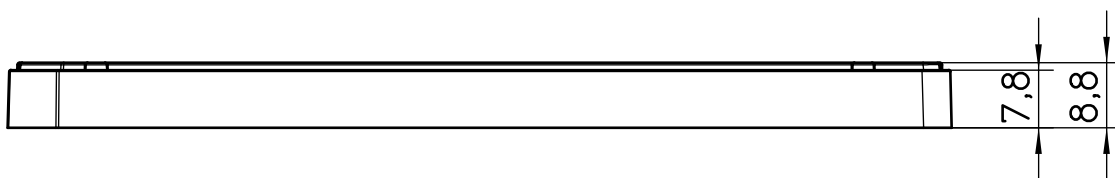
"All dimensions in mm"

Customer drawing subject to change without notice!

Uncontrolled Copy

| Prior Issue | Drawn | Approved | Released | CONFIDENTIAL: Information contained in this document or drawing is confidential and proprietary to Greiner Bio-One GmbH. This document may not be reproduced for any reason without written permission from Greiner Bio-One GmbH. All rights of design, invention, and copyright are reserved. |
|-------------|------------|------------|------------|--|
| Revision | Date | Date | Date | |
| 5 | 2011/06/21 | 2022/11/04 | 2022/11/07 | |
| Date | Name | Name | Name | |
| 2022/08/19 | forb | forb | kleber | |

Valid for Item-No.: 665610, 665630, 665631, 665638, 665640, 665641



"All dimensions in mm"

Customer drawing subject to change without notice!

Uncontrolled Copy

| Prior Issue | Drawn | Approved | Released | CONFIDENTIAL: Information contained in this document or drawing is confidential and proprietary to Greiner Bio-One GmbH. This document may not be reproduced for any reason without written permission from Greiner Bio-One GmbH. All rights of design, invention, and copyright are reserved. |
|--------------------|--------------------|--------------------|--------------------|--|
| Revision 5 | Date 2011/06/21 | Date 2022/11/04 | Date 2022/11/07 | |
| Date 2022/08/19 | Name forb | Name forb | Name kleber | |