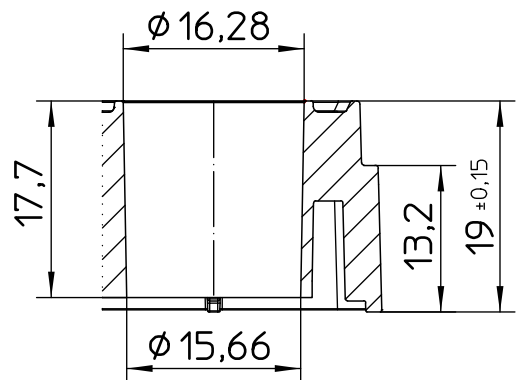
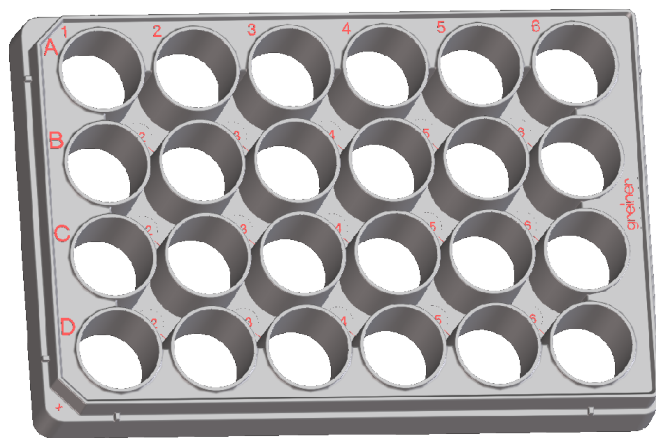
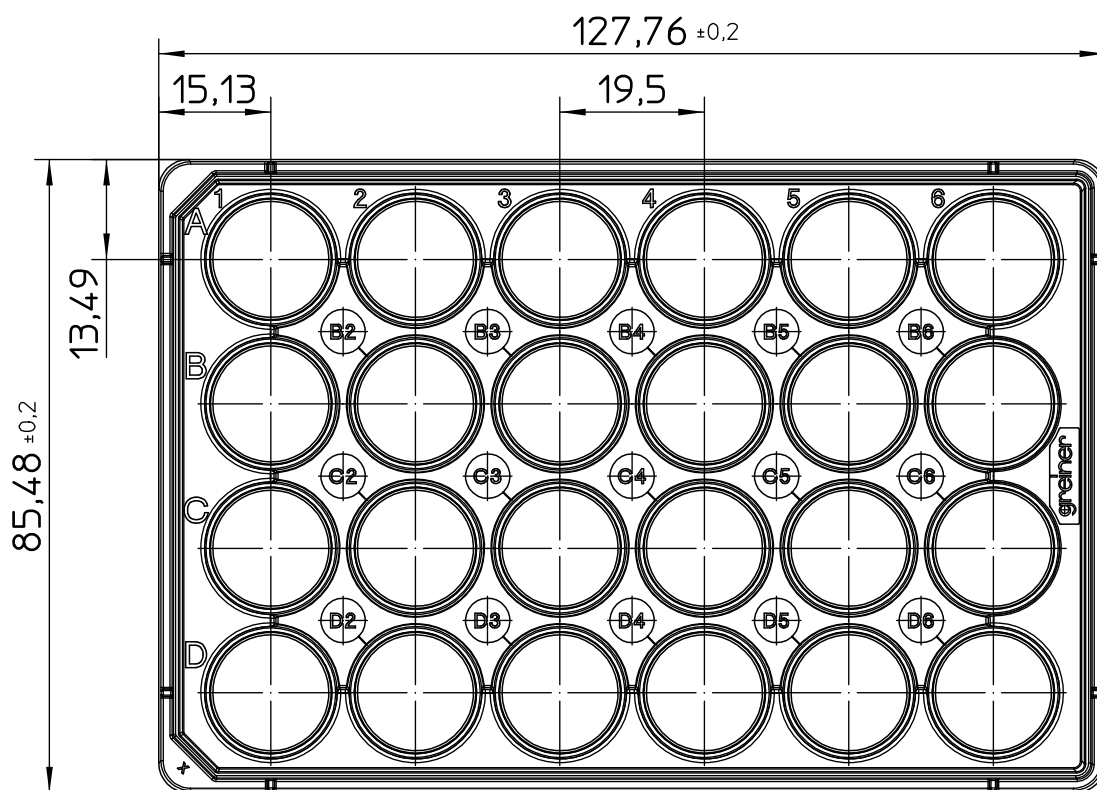
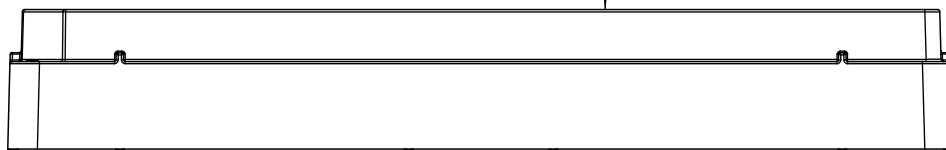


Valid for Item-No.: 662892, 662896



Curvature 0,2



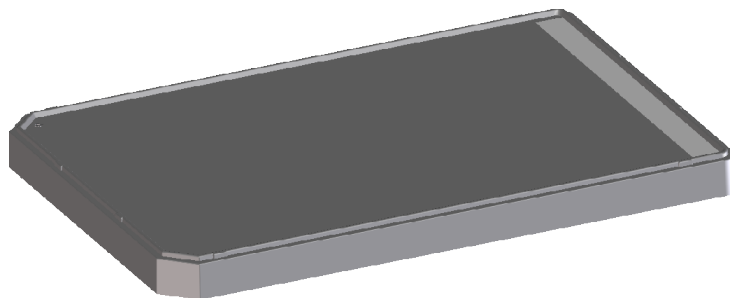
"All dimensions in mm"

Customer drawing subject to change without notice!

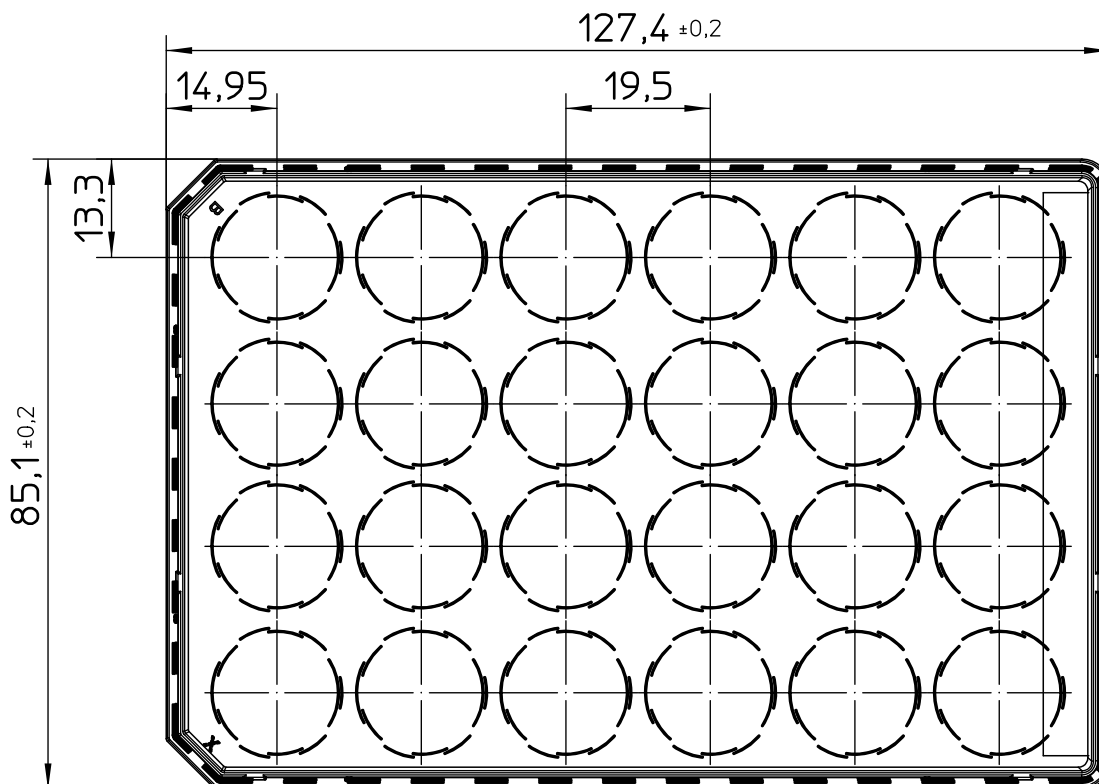
Uncontrolled Copy

| Prior Issue | Drawn | Approved | Released | CONFIDENTIAL: Information contained in this document or drawing is confidential and proprietary to Greiner Bio-One GmbH. This document may not be reproduced for any reason without written permission from Greiner Bio-One GmbH. All rights of design, invention, and copyright are reserved. |
|-----------------|-----------------|-----------------|-----------------|--|
| Revision 7 | Date 2011/04/19 | Date 2022/10/27 | Date 2022/10/27 | |
| Date 2022/08/18 | Name forb | Name kleber | Name lang | |

Valid for Item-No.: 662892, 662896



Curvature $+0,3$
 $-0,1$



Only Part-No. 662892 with lid

"All dimensions in mm"

Customer drawing subject to change without notice!

Uncontrolled Copy

| Prior Issue | Drawn | Approved | Released | CONFIDENTIAL: Information contained in this document or drawing is confidential and proprietary to Greiner Bio-One GmbH. This document may not be reproduced for any reason without written permission from Greiner Bio-One GmbH. All rights of design, invention, and copyright are reserved. |
|--------------------|--------------------|--------------------|--------------------|--|
| Revision 7 | Date 2011/04/19 | Date 2022/10/27 | Date 2022/10/27 | |
| Date 2022/08/18 | Name forb | Name kleber | Name lang | |