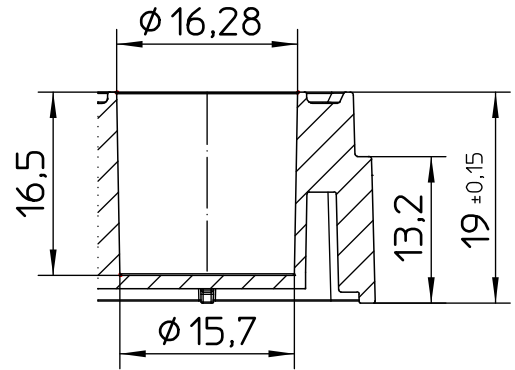
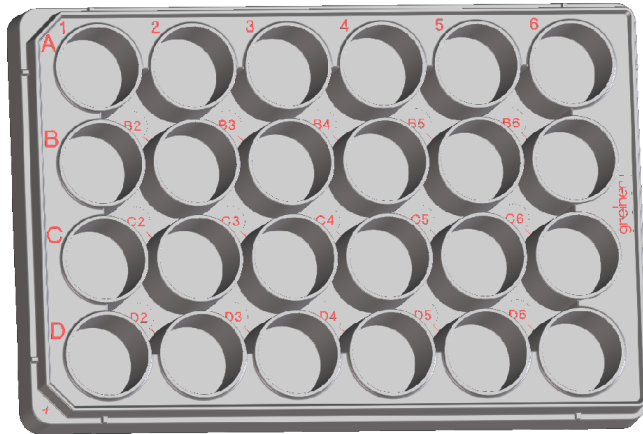
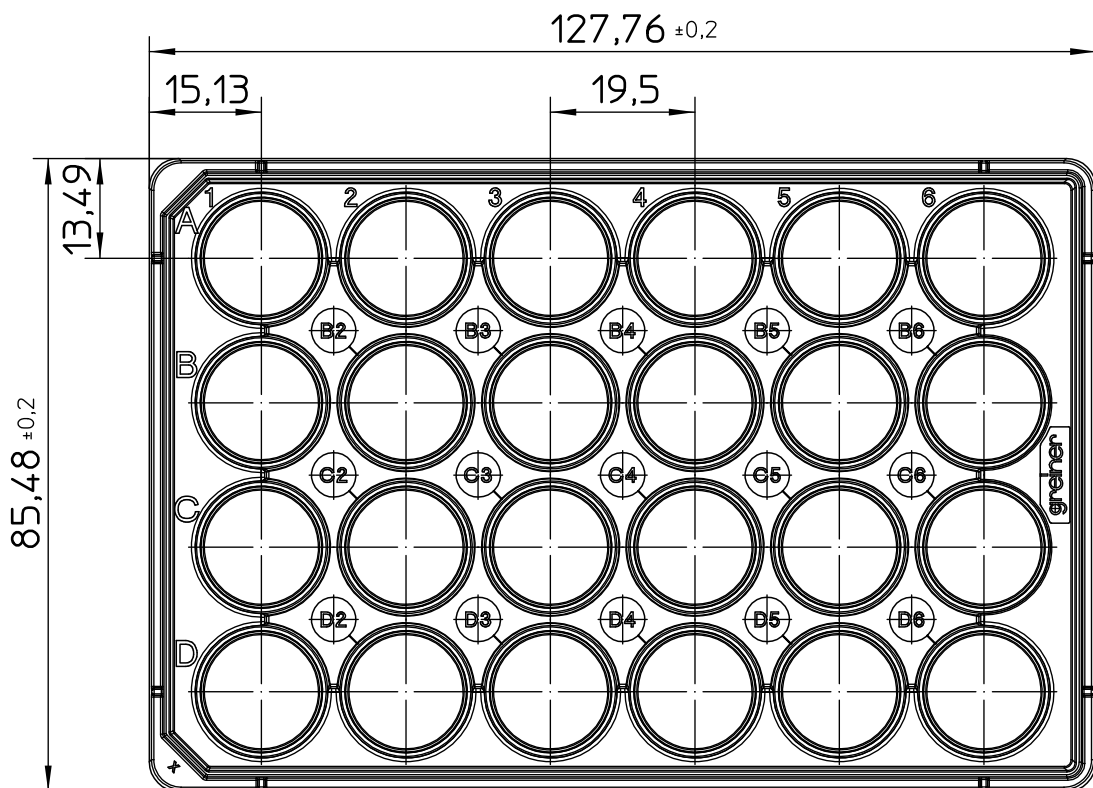
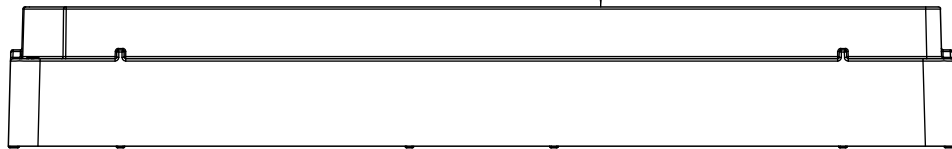


Valid for Item-No.: 662102, 662160, 662165, 662174



Curvature 0,2



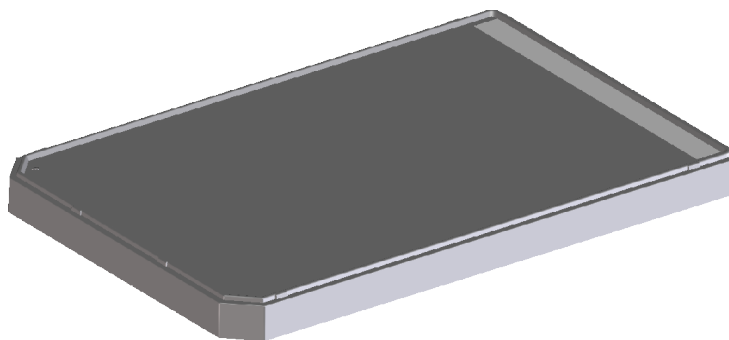
"All dimensions in mm"

Customer drawing subject to change without notice!

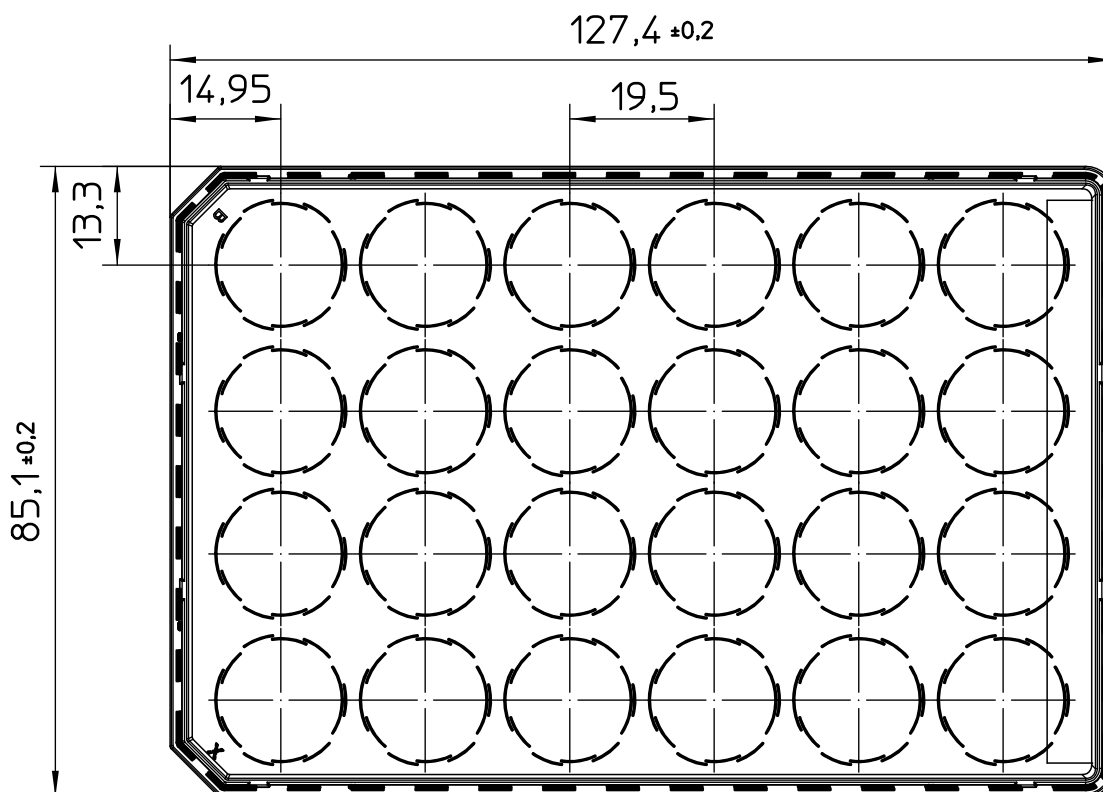
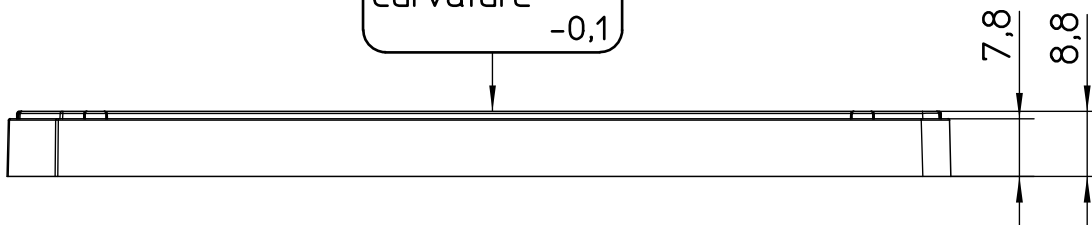
Uncontrolled Copy

| Prior Issue     | Drawn           | Approved        | Released        | CONFIDENTIAL: Information contained in this document or drawing is confidential and proprietary to Greiner Bio-One GmbH. This document may not be reproduced for any reason without written permission from Greiner Bio-One GmbH. All rights of design, invention, and copyright are reserved. |
|-----------------|-----------------|-----------------|-----------------|------------------------------------------------------------------------------------------------------------------------------------------------------------------------------------------------------------------------------------------------------------------------------------------------|
| Revision 12     | Date 2011/04/18 | Date 2022/11/11 | Date 2022/11/14 |                                                                                                                                                                                                                                                                                                |
| Date 2022/11/10 | Name forb       | Name forb       | Name kleber     |                                                                                                                                                                                                                                                                                                |
|                 |                 |                 |                 |                                                                                                                                                                                                                                                                                                |

Valid for Item-No.: 662102, 662160, 662165, 662174



Curvature  $+0,3$   
 $-0,1$



"All dimensions in mm"

Customer drawing subject to change without notice!

Uncontrolled Copy

| Prior Issue     | Drawn           | Approved        | Released        | CONFIDENTIAL: Information contained in this document or drawing is confidential and proprietary to Greiner Bio-One GmbH. This document may not be reproduced for any reason without written permission from Greiner Bio-One GmbH. All rights of design, invention, and copyright are reserved. |
|-----------------|-----------------|-----------------|-----------------|------------------------------------------------------------------------------------------------------------------------------------------------------------------------------------------------------------------------------------------------------------------------------------------------|
| Revision 12     | Date 2011/04/18 | Date 2022/11/11 | Date 2022/11/14 |                                                                                                                                                                                                                                                                                                |
| Date 2022/11/10 | Name forb       | Name forb       | Name kleber     |                                                                                                                                                                                                                                                                                                |
|                 |                 |                 |                 |                                                                                                                                                                                                                                                                                                |