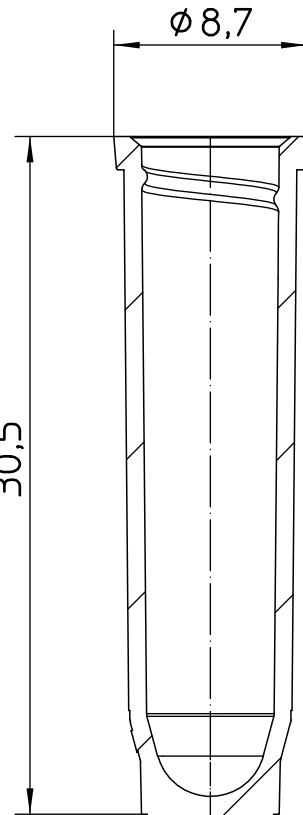
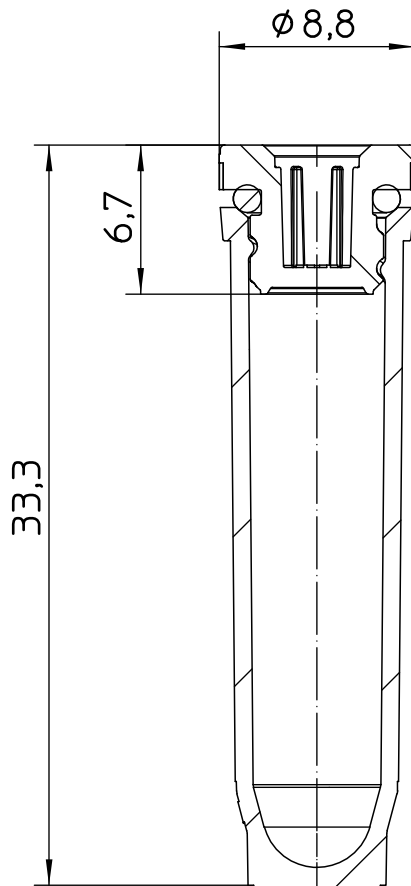
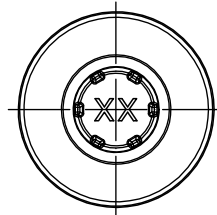


Valid for Item-No.: 977561, 977570, 977580, 977561-2D1, 977570-2D1, 977580-2D1, 977563, 977583, 977564, 977584, 977565, 977585, 977566, 977586, 977567, 977587, 977568, 977568, 977568, 977588, 977569, 977589



contents of tube  
with screw cap  
672.6µl

total volume tube  
787.8µl



working volume  
in cryo storage  
580µl

"All dimensions in mm"

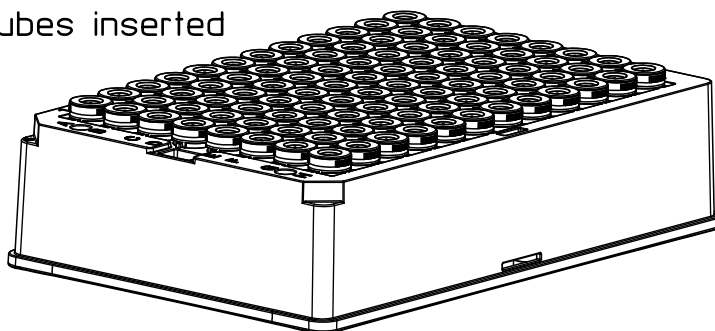
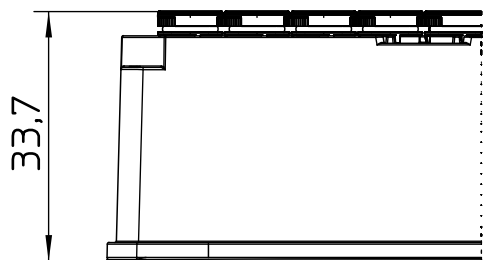
Customer drawing subject to change without notice!

Uncontrolled Copy

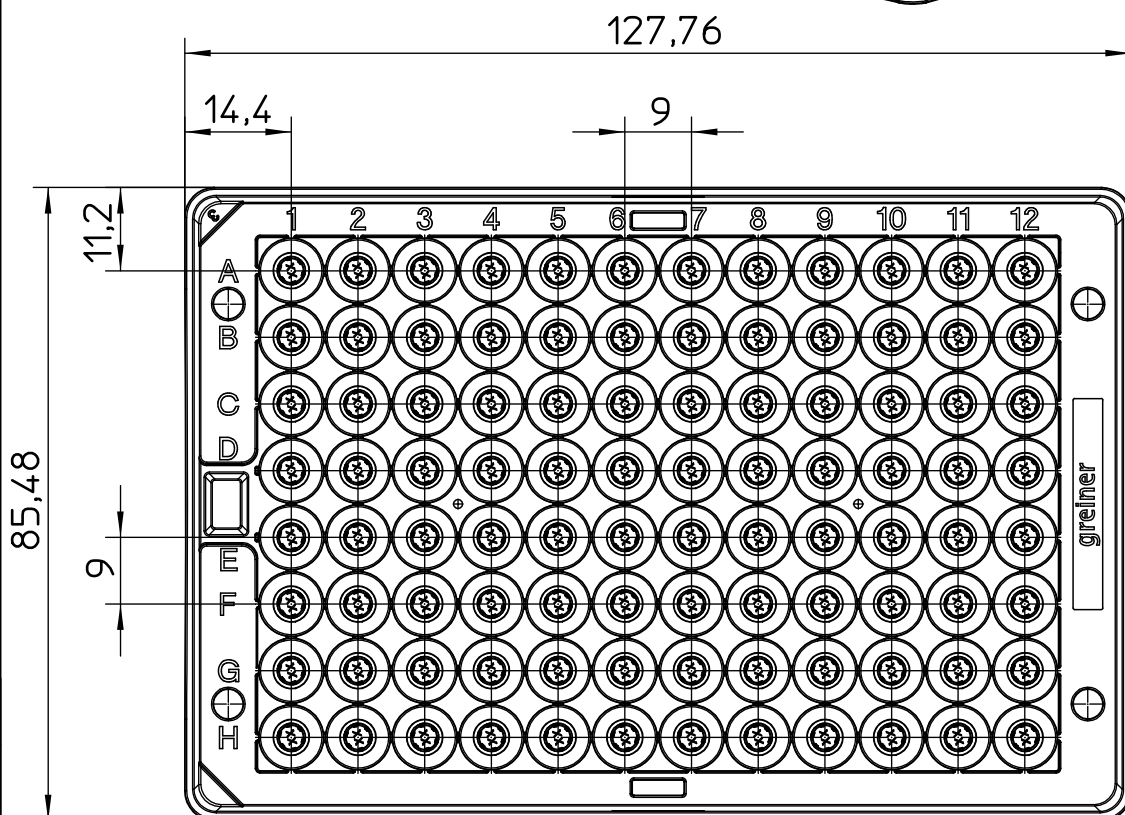
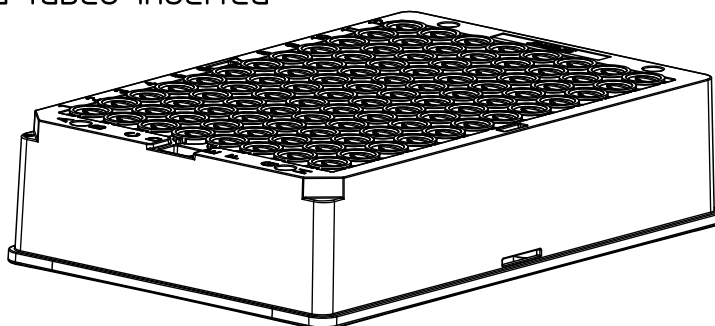
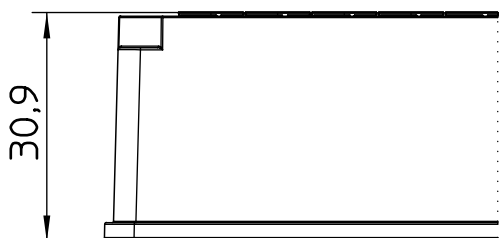
Prior Issue	Drawn	Approved	Released	CONFIDENTIAL: Information contained in this document or drawing is confidential and proprietary to Greiner Bio-One GmbH. This document may not be reproduced for any reason without written permission from Greiner Bio-One GmbH. All rights of design, invention, and copyright are reserved.
Revision 8	Date 2014/02/05	Date 2022/11/03	Date 2022/11/03	
Date 2020/03/11	Name schwarzj	Name forb	Name kleber	

Valid for Item-No.: 977561, 977570, 977580, 977561-2D1, 977570-2D1, 977580-2D1, 977563, 977583, 977564, 977584, 977565, 977585, 977566, 977586, 977567, 977587, 977568, 977568, 977588, 977569, 977589

with capped tubes inserted



with uncapped tubes inserted



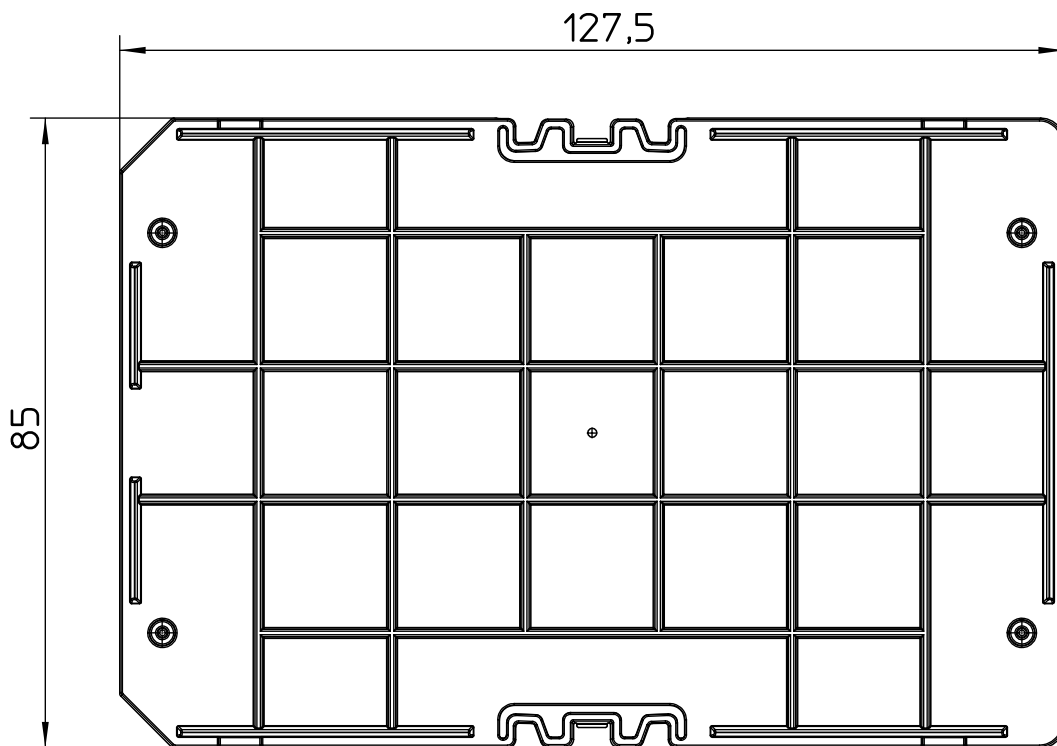
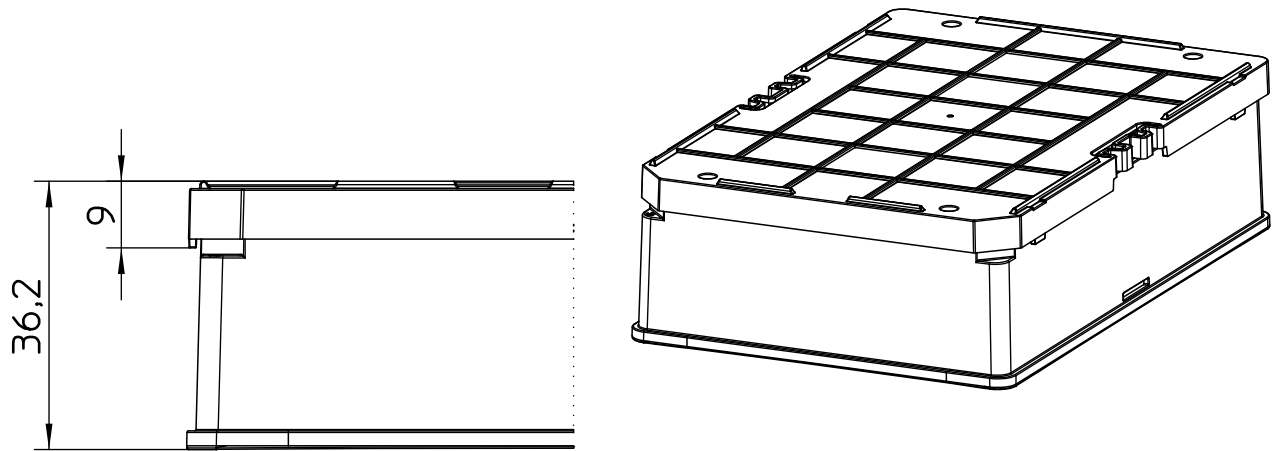
"All dimensions in mm"

Customer drawing subject to change without notice!

Uncontrolled Copy

Prior Issue	Drawn	Approved	Released	CONFIDENTIAL: Information contained in this document or drawing is confidential and proprietary to Greiner Bio-One GmbH. This document may not be reproduced for any reason without written permission from Greiner Bio-One GmbH. All rights of design, invention, and copyright are reserved.
Revision 8	Date 2014/02/05	Date 2022/11/03	Date 2022/11/03	
Date 2020/03/11	Name schwarzj	Name forb	Name kleber	

Valid for Item-No.: 977561, 977570, 977580, 977561-2D1, 977570-2D1, 977580-2D1, 977563, 977583, 977564, 977584, 977565, 977585, 977566, 977586, 977567, 977587, 977568, 977568, 977588, 977569, 977589



"All dimensions in mm"  
Customer drawing subject to change without notice!

Uncontrolled Copy

Prior Issue	Drawn	Approved	Released	CONFIDENTIAL: Information contained in this document or drawing is confidential and proprietary to Greiner Bio-One GmbH. This document may not be reproduced for any reason without written permission from Greiner Bio-One GmbH. All rights of design, invention, and copyright are reserved.
Revision 8	Date 2014/02/05	Date 2022/11/03	Date 2022/11/03	
Date 2020/03/11	Name schwarzj	Name forb	Name kleber	