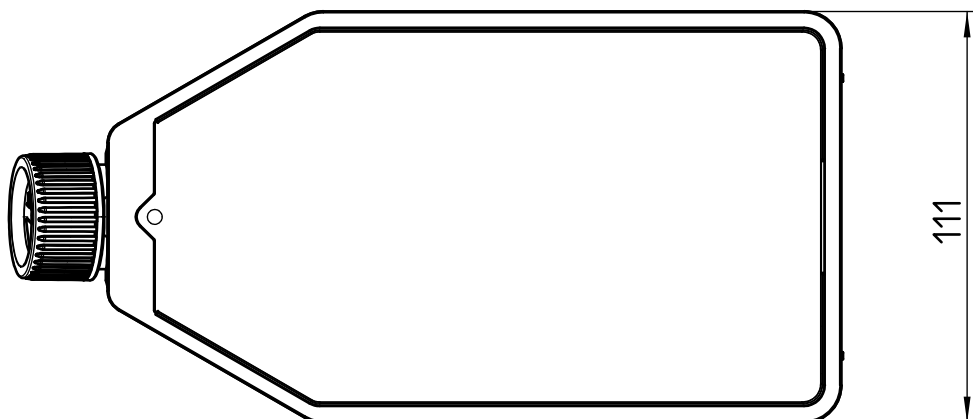
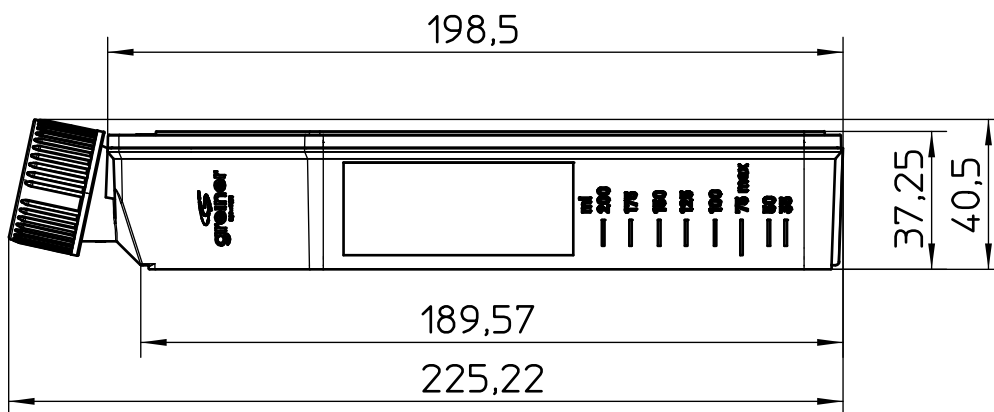
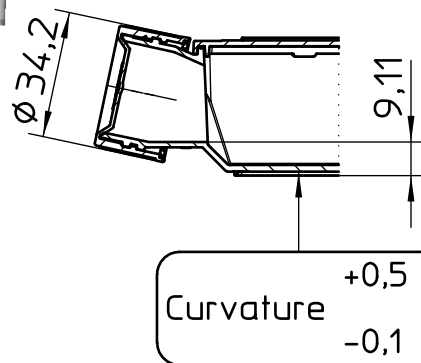
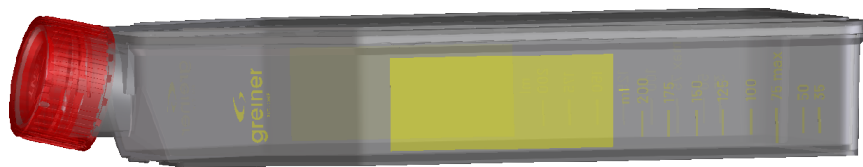


Valid for Item-No.: 660960, 660975



"All dimensions in mm"

Customer drawing subject to change without notice!

Uncontrolled Copy

Prior Issue	Drawn	Approved	Released	CONFIDENTIAL: Information contained in this document or drawing is confidential and proprietary to Greiner Bio-One GmbH. This document may not be reproduced for any reason without written permission from Greiner Bio-One GmbH. All rights of design, invention, and copyright are reserved.
Revision 5	Date 2011/08/08	Date 2024/11/21	Date 2024/11/27	
Date 2022/11/07	Name forb	Name kleber	Name sigel	