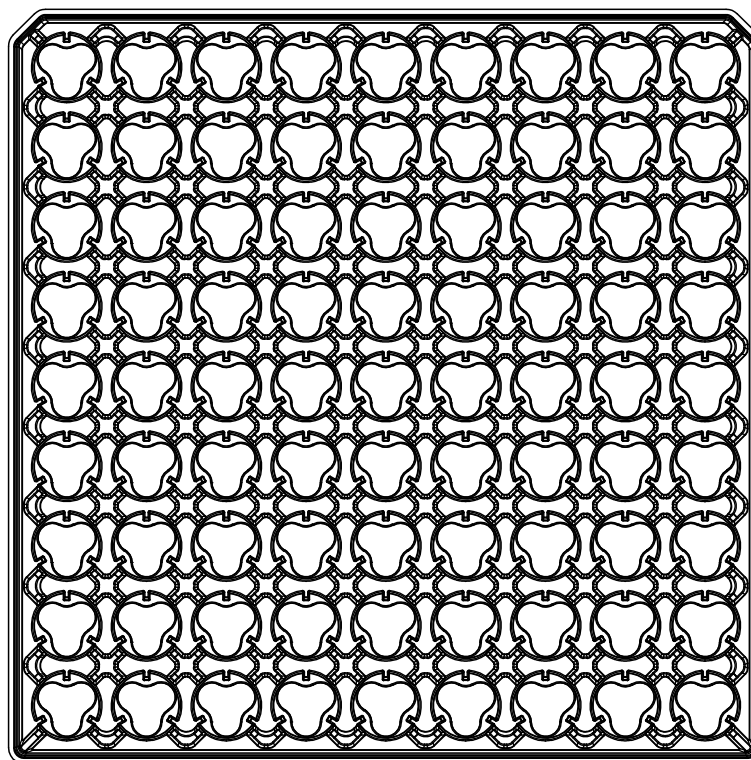
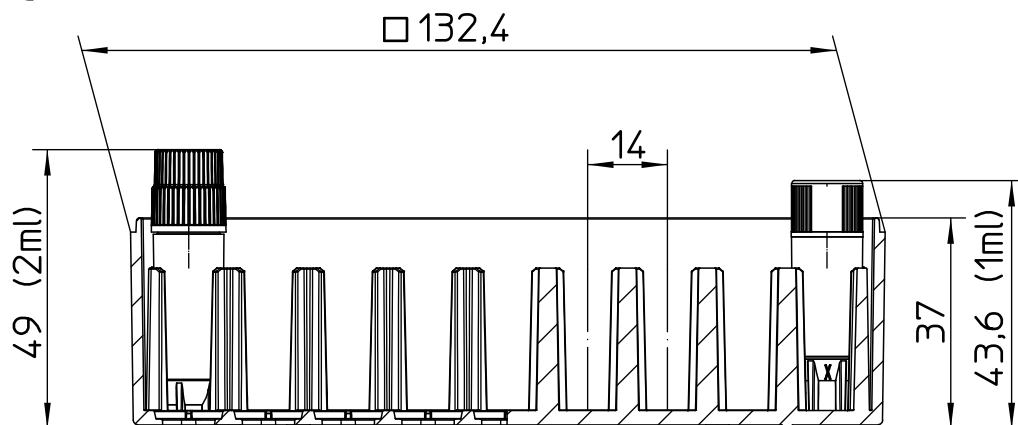
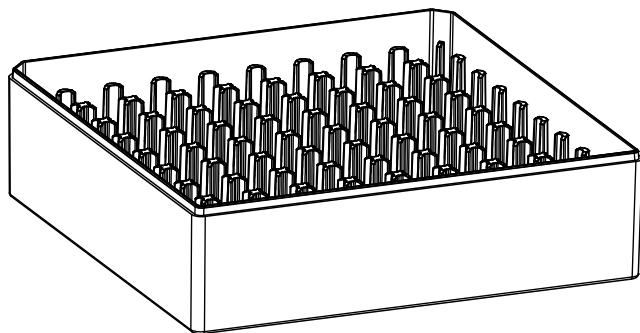


Valid for Item-No.: 802576, 802576-128, 802576-2DG



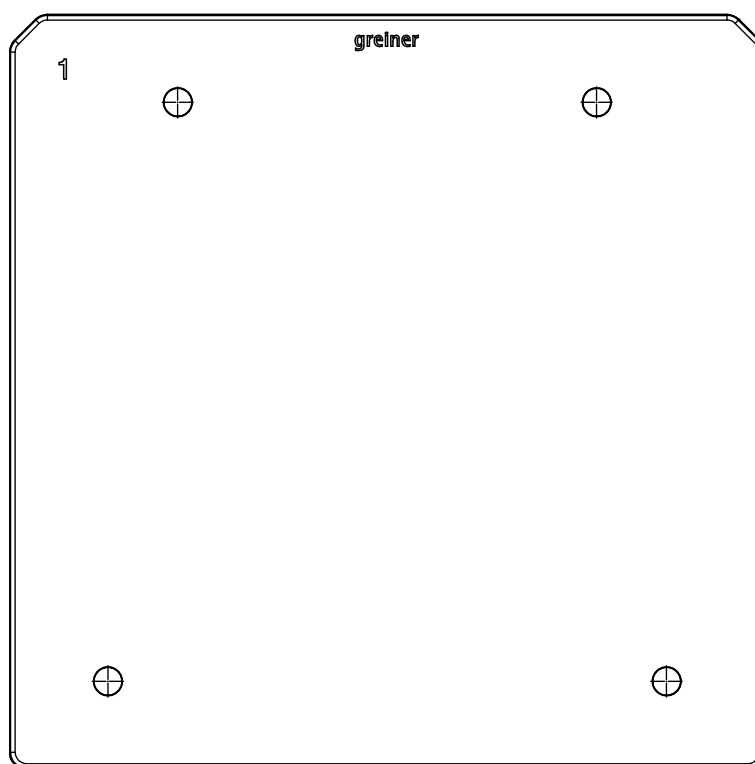
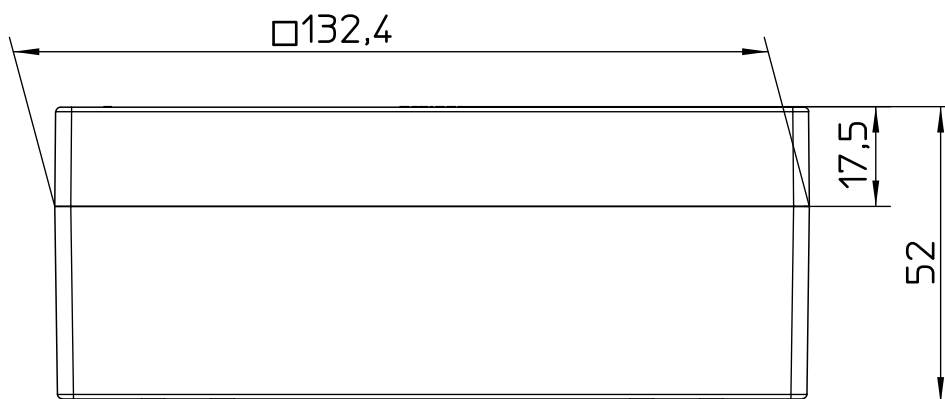
"All dimensions in mm"

Customer drawing subject to change without notice!

Uncontrolled Copy

| Prior Issue     | Drawn           | Approved        | Released        | CONFIDENTIAL: Information contained in this document or drawing is confidential and proprietary to Greiner Bio-One GmbH. This document may not be reproduced for any reason without written permission from Greiner Bio-One GmbH. All rights of design, invention, and copyright are reserved. |
|-----------------|-----------------|-----------------|-----------------|--|
| Revision 3      | Date 2014/04/10 | Date 2022/11/16 | Date 2022/11/16 |  |
| Date 2020/05/06 | Name schwarzj   | Name forb       | Name kleber     |  |

Valid for Item-No.: 802576, 802576-128, 802576-2DG



"All dimensions in mm"

Customer drawing subject to change without notice!

Uncontrolled Copy

| Prior Issue        | Drawn              | Approved           | Released           | CONFIDENTIAL: Information contained in this document or drawing is confidential and proprietary to Greiner Bio-One GmbH. This document may not be reproduced for any reason without written permission from Greiner Bio-One GmbH. All rights of design, invention, and copyright are reserved. |
|--------------------|--------------------|--------------------|--------------------|--|
| Revision<br>3      | Date<br>2014/04/10 | Date<br>2022/11/16 | Date<br>2022/11/16 |  |
| Date<br>2020/05/06 | Name<br>schwarzj   | Name<br>forb       | Name<br>kleber     |  |