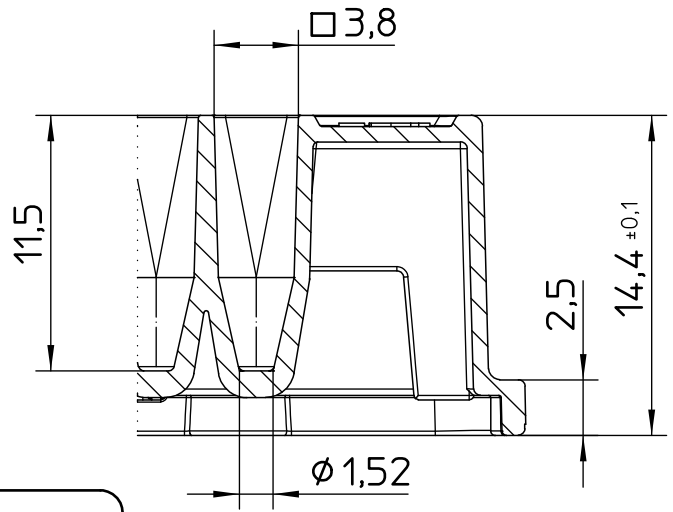
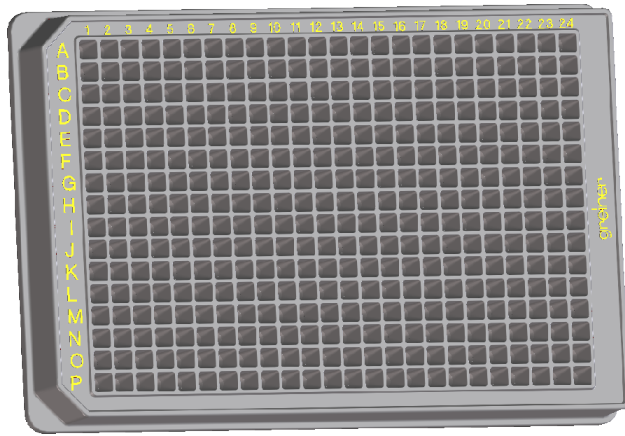
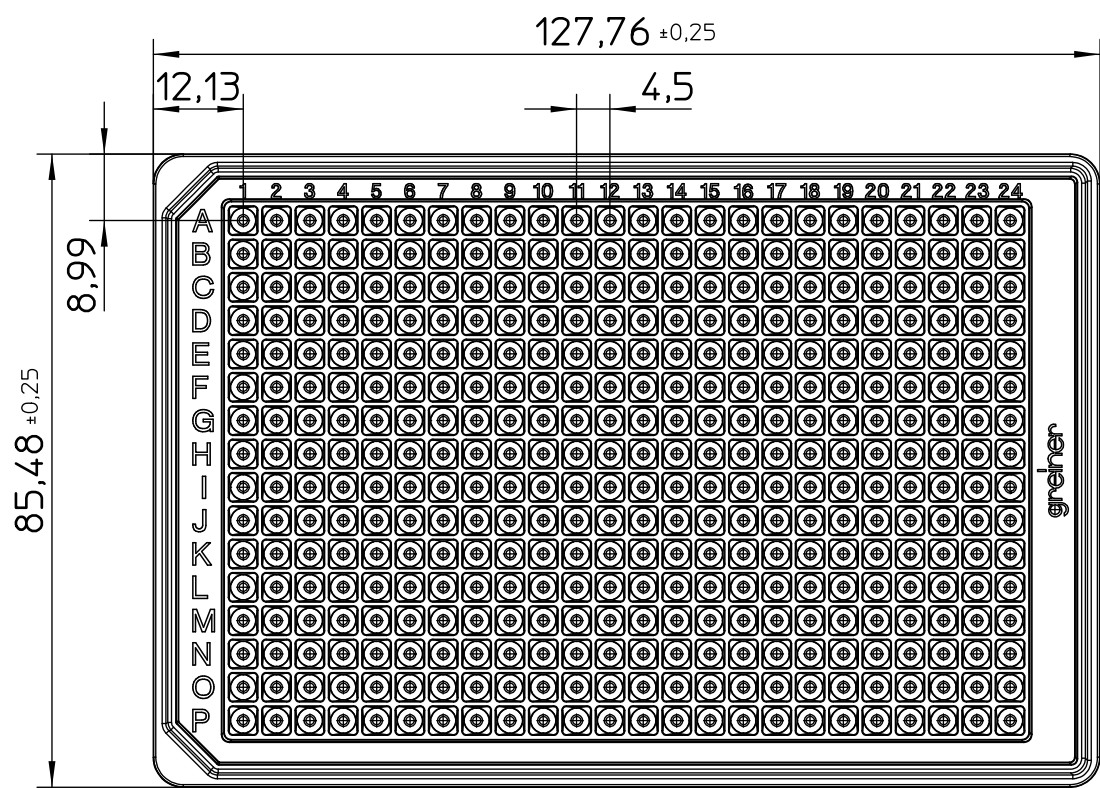


Valid for Item-No.: 784201, 784261



Curvature  $\updownarrow$  Max.Diff 0.25



"All dimensions in mm"

Customer drawing subject to change without notice!

Uncontrolled Copy

Prior Issue	Drawn	Approved	Released	CONFIDENTIAL: Information contained in this document or drawing is confidential and proprietary to Greiner Bio-One GmbH. This document may not be reproduced for any reason without written permission from Greiner Bio-One GmbH. All rights of design, invention, and copyright are reserved.
Revision 5	Date 2010/12/21	Date 2021/07/14	Date 2021/07/14	
Date 2018/03/26	Name forb	Name forb	Name lang	