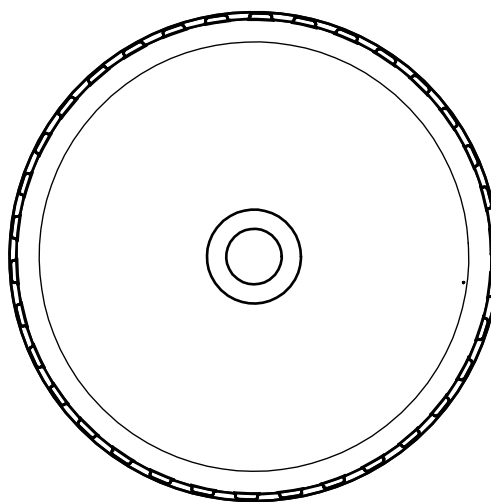
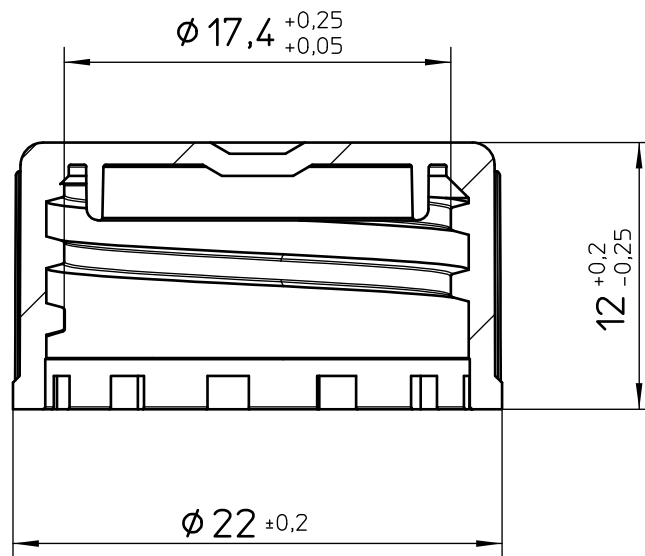
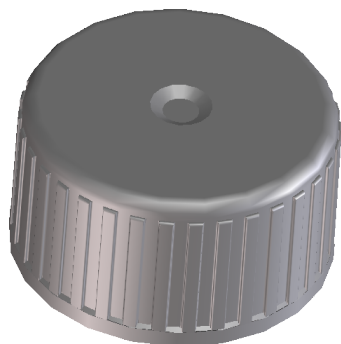


Valid for Item-No.: 315377, 315378, 315374-01, 315376, 315379, 315374, 315386, 315388, 315389, 315387, 315369, 315311



"All dimensions in mm"

Customer drawing subject to change without notice!

Uncontrolled Copy

Prior Issue	Drawn	Approved	Released	CONFIDENTIAL: Information contained in this document or drawing is confidential and proprietary to Greiner Bio-One GmbH. This document may not be reproduced for any reason without written permission from Greiner Bio-One GmbH. All rights of design, invention, and copyright are reserved.
Revision	Date 2011/08/03	Date 2020/10/12	Date 2020/10/12	
Date	Name forb	Name forb	Name sonntag	