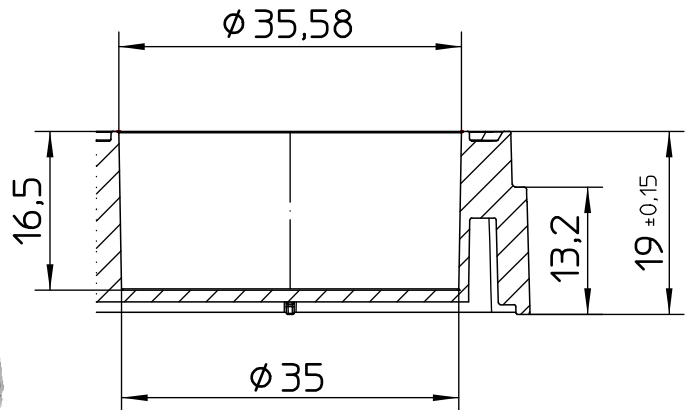
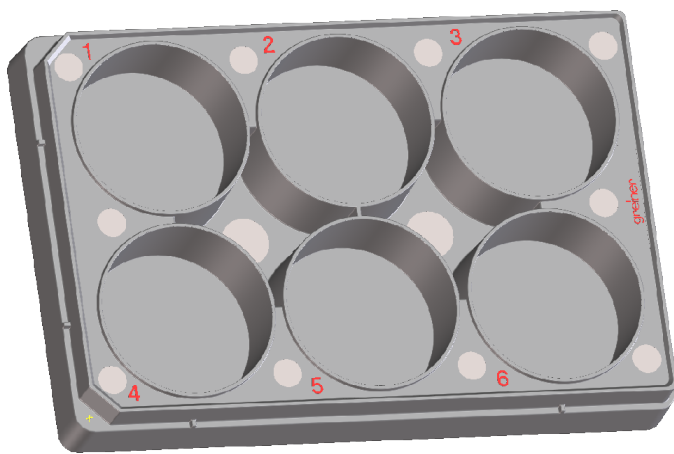
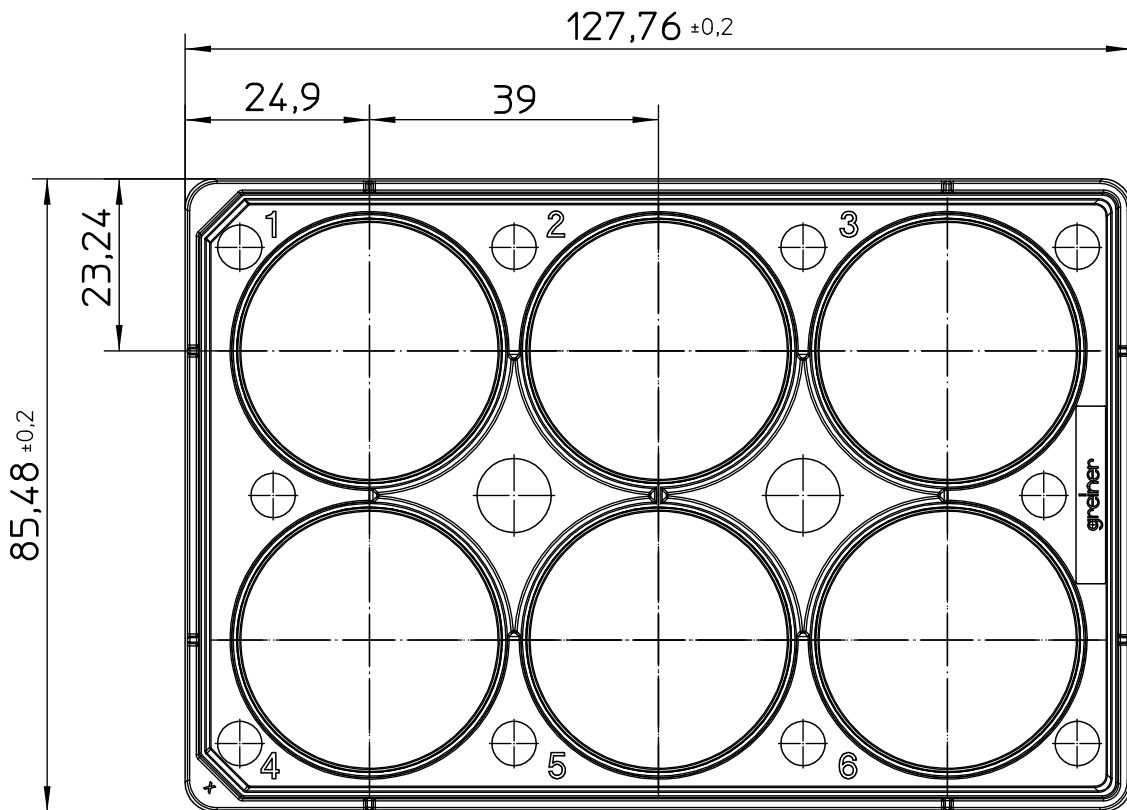
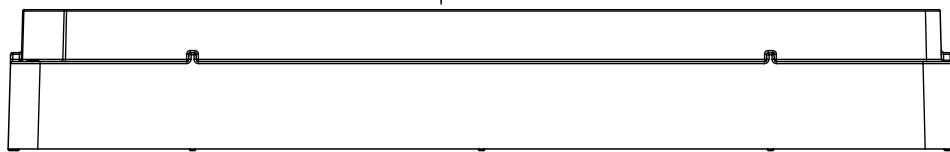


Valid for Item-No.: 657610, 657630, 657631, 657638, 657640, 657641



Curvature 0,2



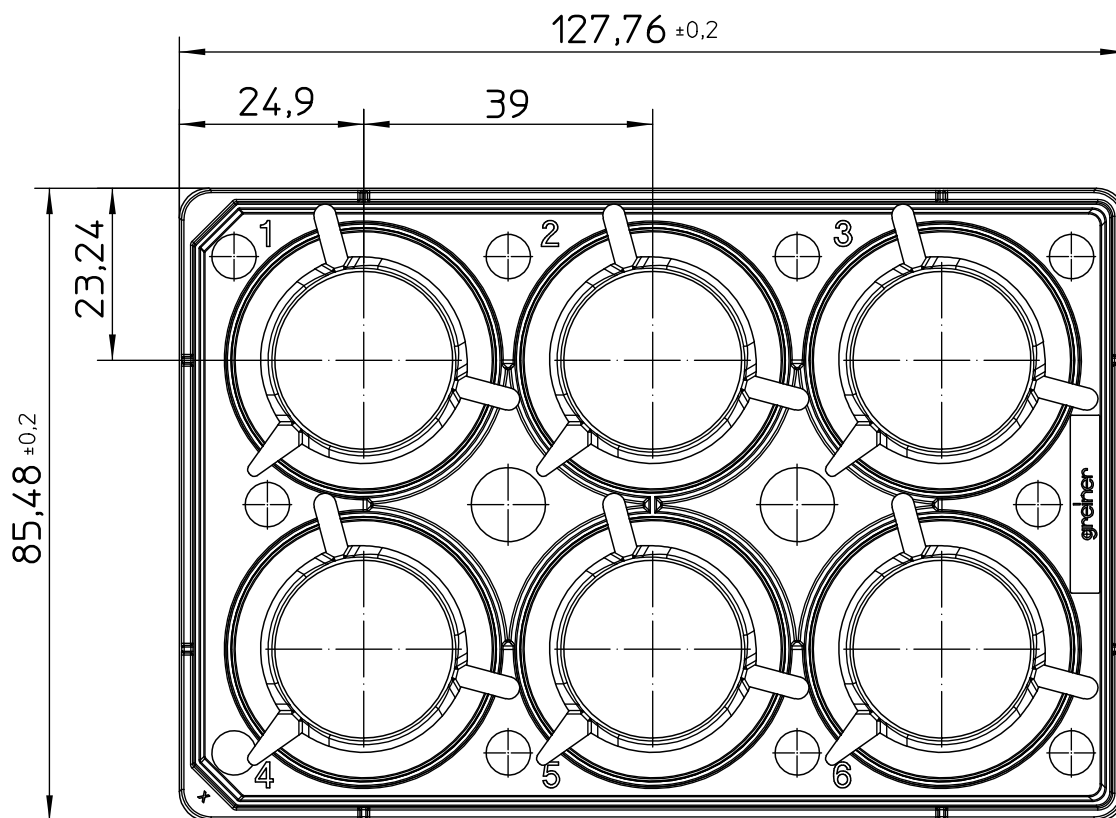
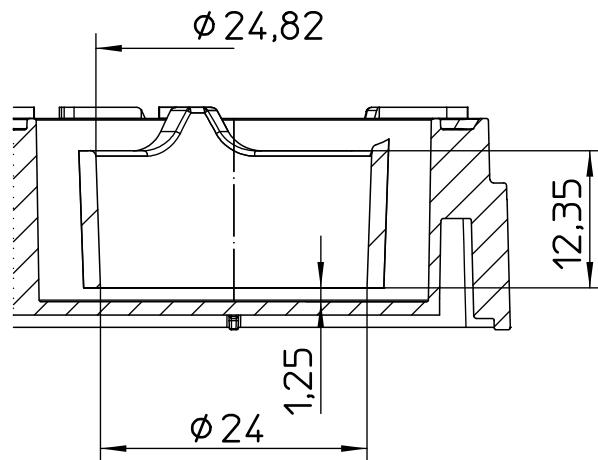
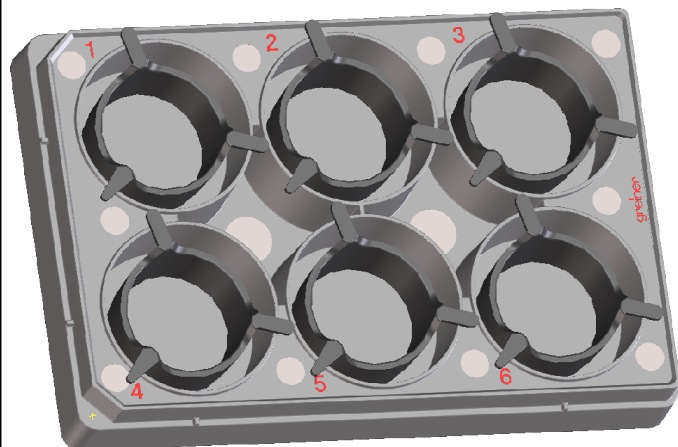
"All dimensions in mm"

Customer drawing subject to change without notice!

Uncontrolled Copy

Prior Issue	Drawn	Approved	Released	CONFIDENTIAL: Information contained in this document or drawing is confidential and proprietary to Greiner Bio-One GmbH. This document may not be reproduced for any reason without written permission from Greiner Bio-One GmbH. All rights of design, invention, and copyright are reserved.
Revision 8	Date 2011/08/10	Date 2022/08/19	Date 2022/08/19	
Date 2020/09/30	Name forb	Name forb	Name kleber	

Valid for Item-No.: 657610, 657630, 657631, 657638, 657640, 657641



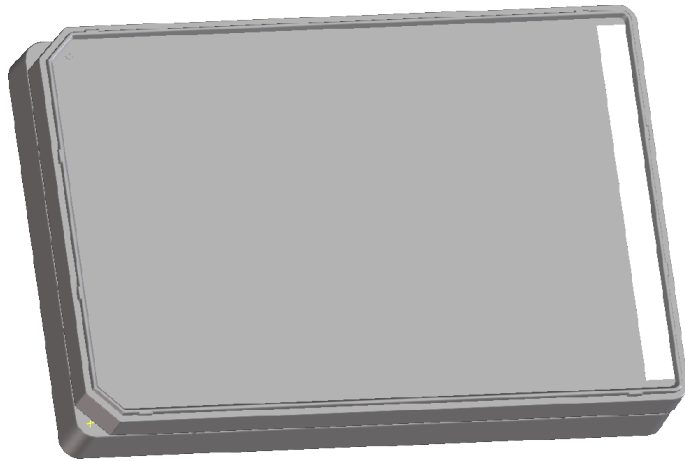
"All dimensions in mm"

Customer drawing subject to change without notice!

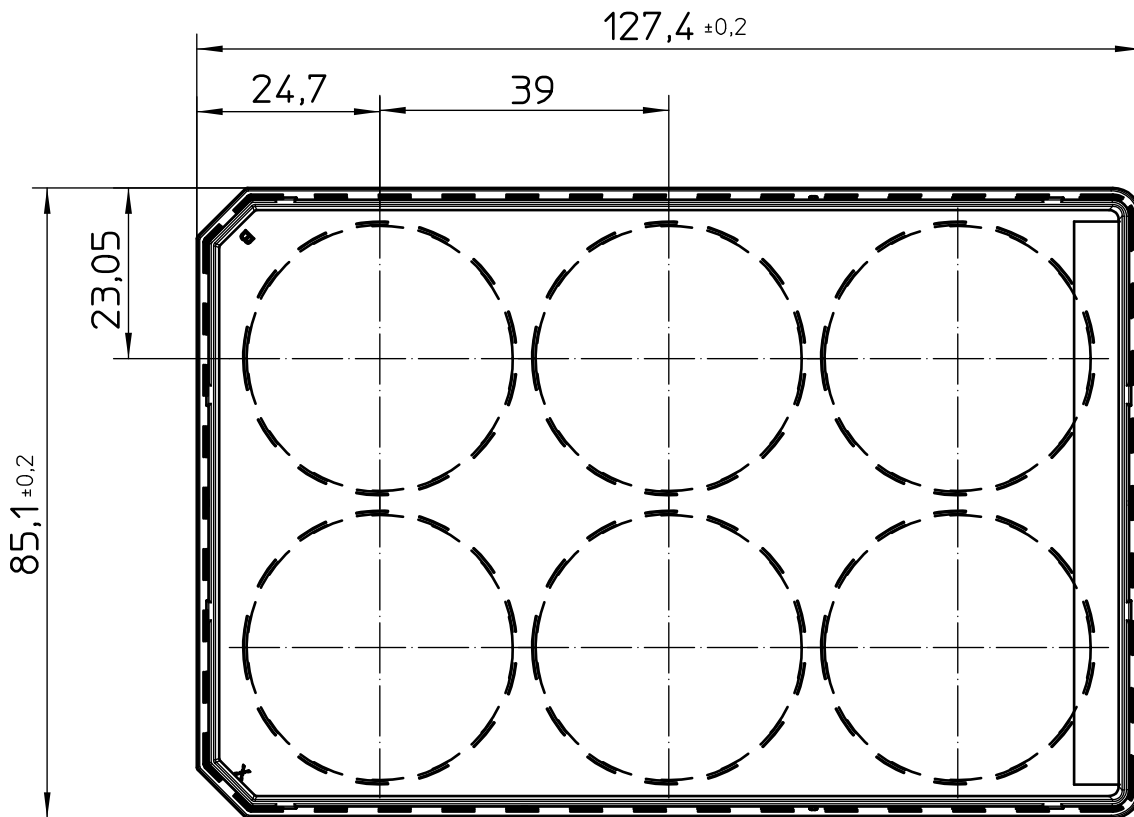
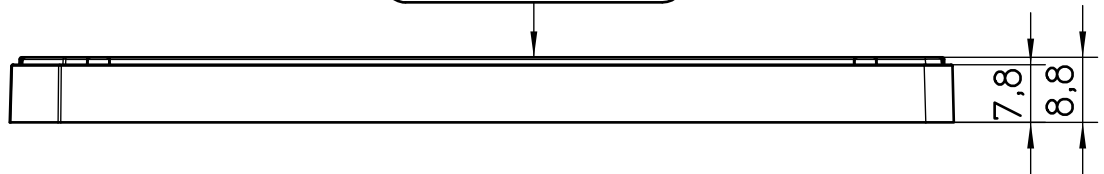
Uncontrolled Copy

Prior Issue	Drawn	Approved	Released	CONFIDENTIAL: Information contained in this document or drawing is confidential and proprietary to Greiner Bio-One GmbH. This document may not be reproduced for any reason without written permission from Greiner Bio-One GmbH. All rights of design, invention, and copyright are reserved.
Revision 8	Date 2011/08/10	Date 2022/08/19	Date 2022/08/19	
Date 2020/09/30	Name forb	Name forb	Name kleber	

Valid for Item-No.: 657610, 657630, 657631, 657638, 657640, 657641



Curvature +0,3
-0,1



"All dimensions in mm"

Customer drawing subject to change without notice!

Uncontrolled Copy

Prior Issue	Drawn	Approved	Released	CONFIDENTIAL: Information contained in this document or drawing is confidential and proprietary to Greiner Bio-One GmbH. This document may not be reproduced for any reason without written permission from Greiner Bio-One GmbH. All rights of design, invention, and copyright are reserved.
Revision 8	Date 2011/08/10	Date 2022/08/19	Date 2022/08/19	
Date 2020/09/30	Name forb	Name forb	Name kleber	