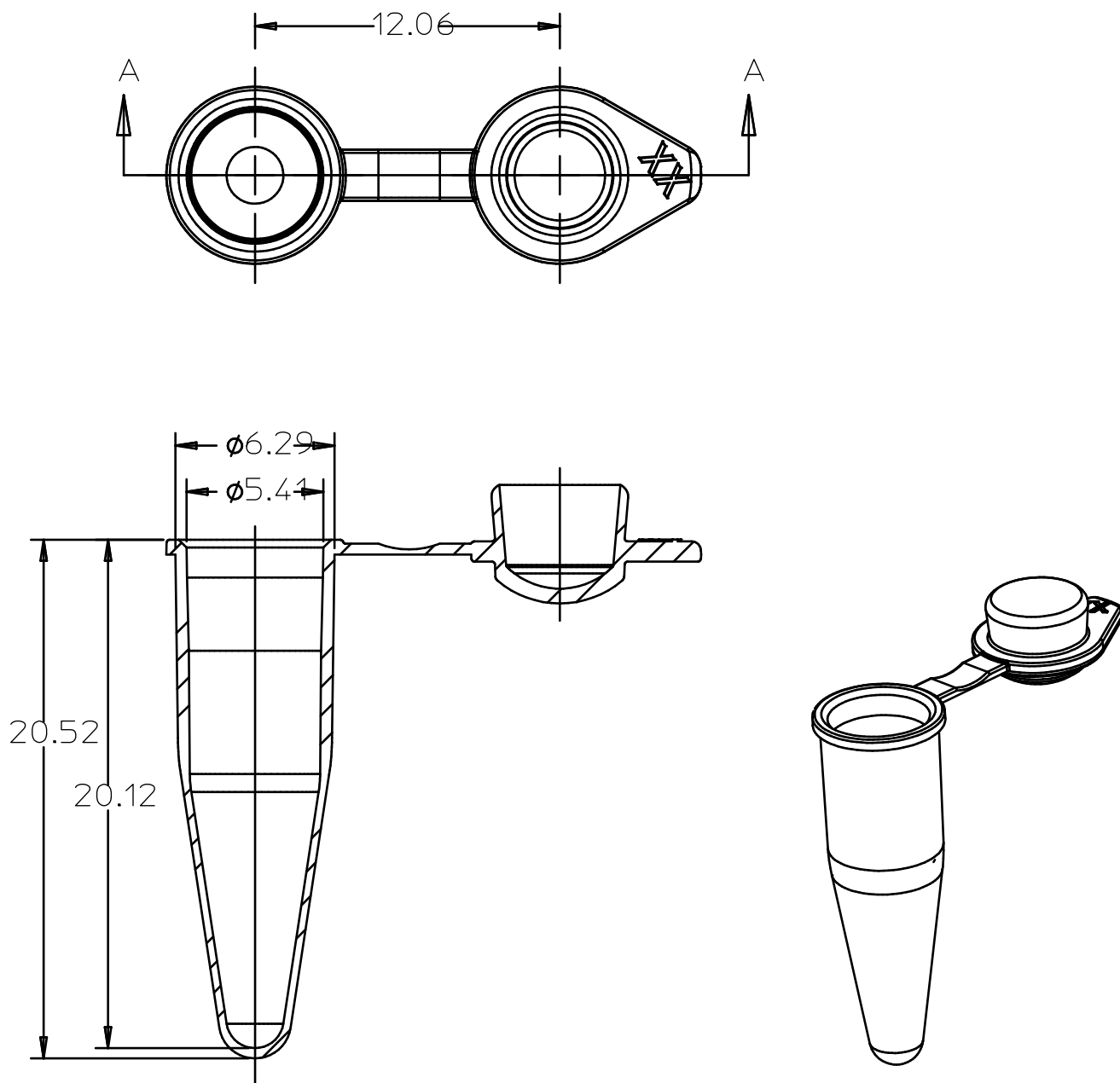


Valid for Item-No.: 671201, 671273, 671274, 671275, 671276, 671277, 671281



"All dimensions in mm"  
Customer drawing subject to change without notice!

Uncontrolled Copy

Prior Issue	Drawn	Approved	Released	CONFIDENTIAL: Information contained in this document or drawing is confidential and proprietary to Greiner Bio-One GmbH. This document may not be reproduced for any reason without written permission from Greiner Bio-One GmbH. All rights of design, invention, and copyright are reserved.
Revision	Date	Date	Date	
2	2015/04/16	2022/11/14	2022/11/14	
Date	Name	Name	Name	
2015/11/23	forb	forb	kleber	