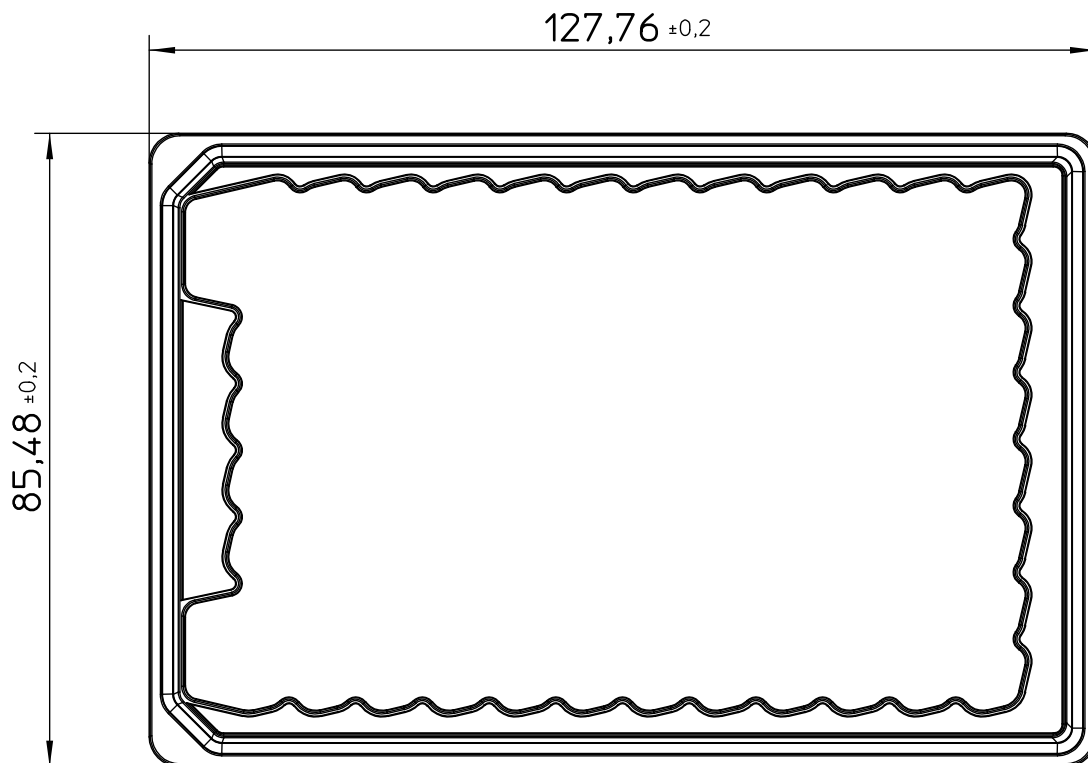
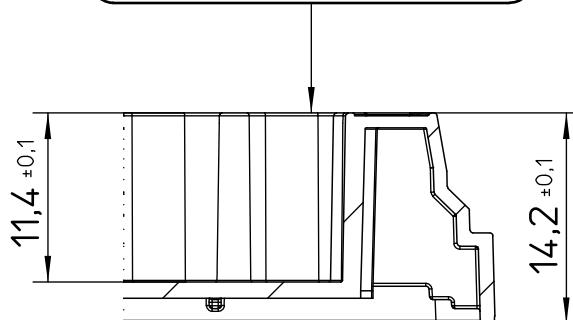


Curvature \updownarrow Max.Diff 0.25



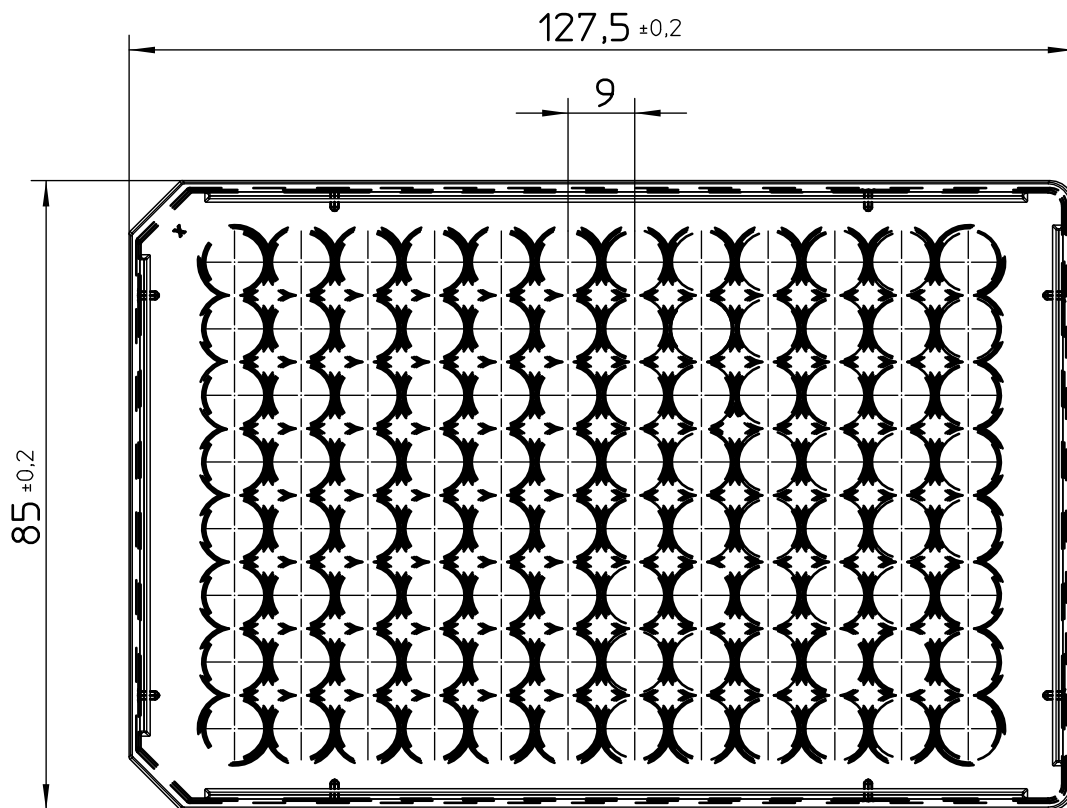
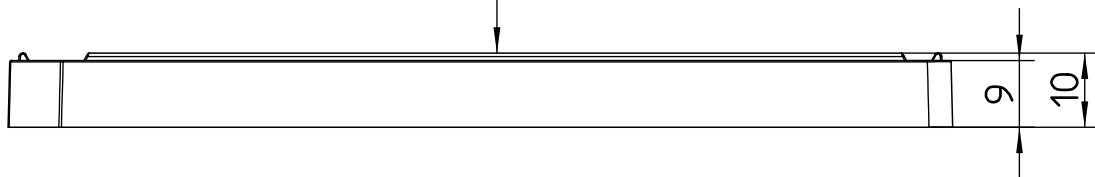
"All dimensions in mm"

Customer drawing subject to change without notice!

Uncontrolled Copy

Prior Issue	Drawn	Approved	Released	CONFIDENTIAL: Information contained in this document or drawing is confidential and proprietary to Greiner Bio-One GmbH. This document may not be reproduced for any reason without written permission from Greiner Bio-One GmbH. All rights of design, invention, and copyright are reserved.
Revision	Date 2025/02/13	Date 2025/03/18	Date 2025/03/18	
Date	Name kleber	Name kleber	Name kessler	

Curvature \updownarrow Max.Diff 0.30



"All dimensions in mm"

Customer drawing subject to change without notice!

Uncontrolled Copy

Prior Issue	Drawn	Approved	Released	CONFIDENTIAL: Information contained in this document or drawing is confidential and proprietary to Greiner Bio-One GmbH. This document may not be reproduced for any reason without written permission from Greiner Bio-One GmbH. All rights of design, invention, and copyright are reserved.
Revision	Date 2025/02/13	Date 2025/03/18	Date 2025/03/18	
Date	Name kleber	Name kleber	Name kessler	