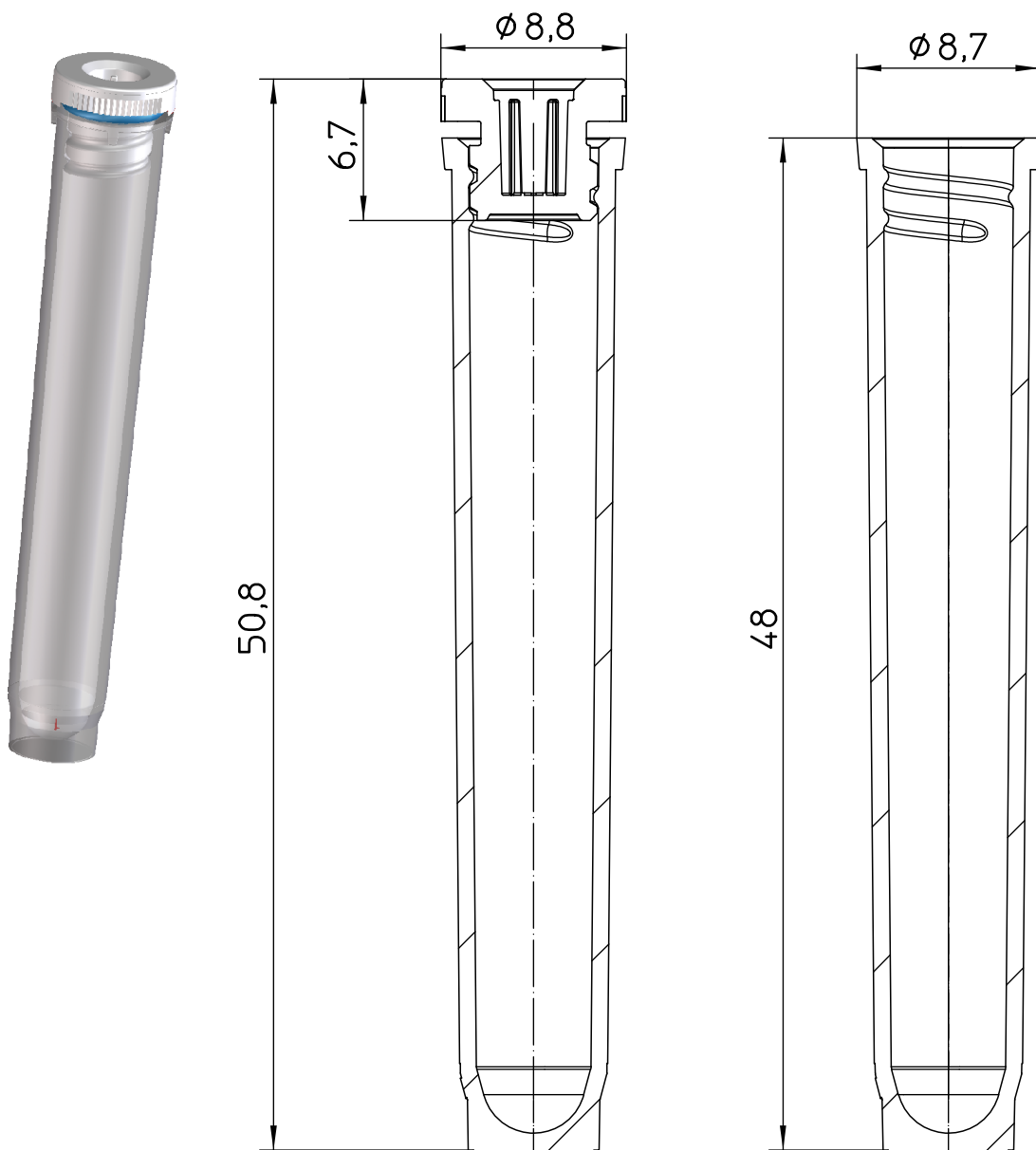
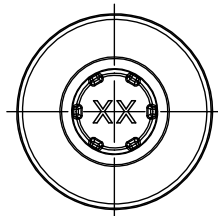


Valid for Item-No.: 978561, 978570, 978580, 978561-2D1, 978570-2D1, 978580-2D1, 978563, 978583, 978564, 978584, 978565, 978585, 978566, 978586, 978567, 978587, 978568, 978588, 978569, 978589



contents of tube
with screw cap
1101.6µl

total volume tube
1216.8µl



working volume
in cryo storage
975µl

"All dimensions in mm"

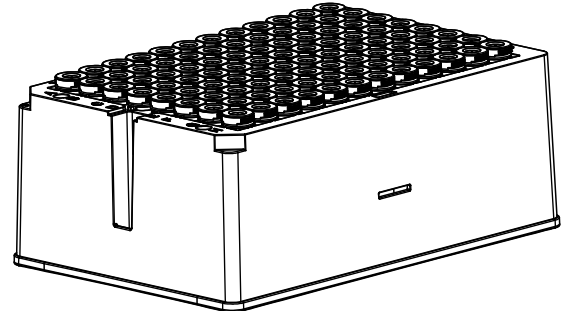
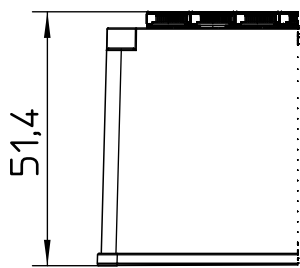
Customer drawing subject to change without notice!

Uncontrolled Copy

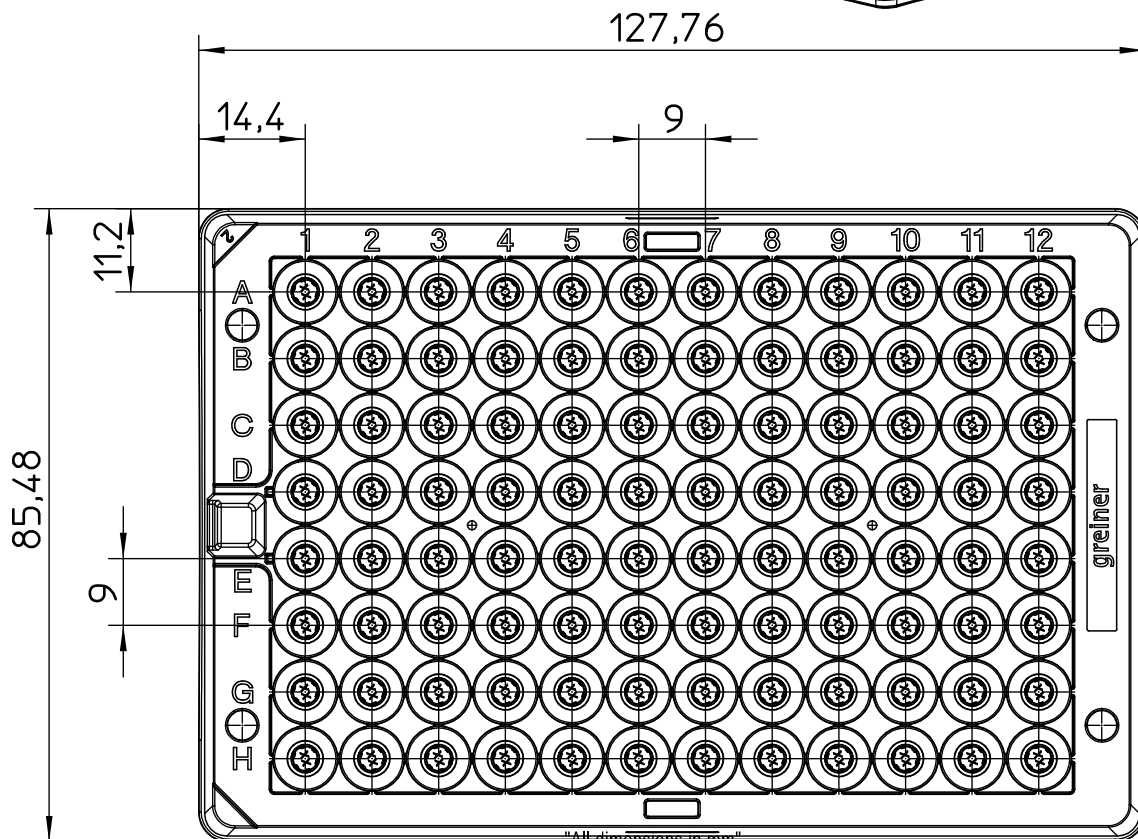
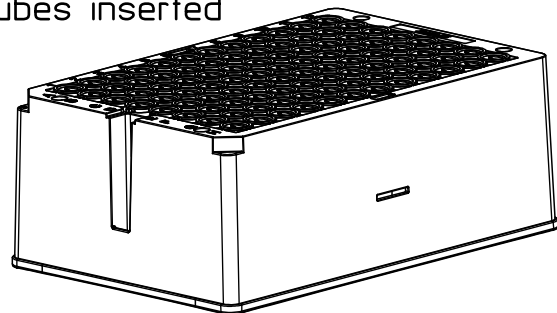
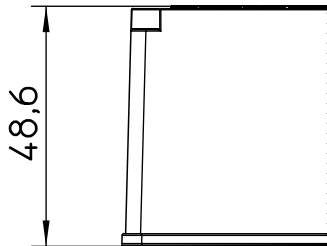
Prior Issue	Drawn	Approved	Released	CONFIDENTIAL: Information contained in this document or drawing is confidential and proprietary to Greiner Bio-One GmbH. This document may not be reproduced for any reason without written permission from Greiner Bio-One GmbH. All rights of design, invention, and copyright are reserved.
Revision 10	Date 2014/02/19	Date 2022/11/04	Date 2022/11/04	
Date 2020/03/11	Name schwarzj	Name forb	Name sigel	

Valid for Item-No.: 978561, 978570, 978580, 978561-2D1, 978570-2D1, 978580-2D1, 978563, 978583, 978564, 978584, 978565, 978585, 978566, 978586, 978567, 978587, 978568, 978588, 978569, 978589

with capped tubes inserted



with uncapped tubes inserted



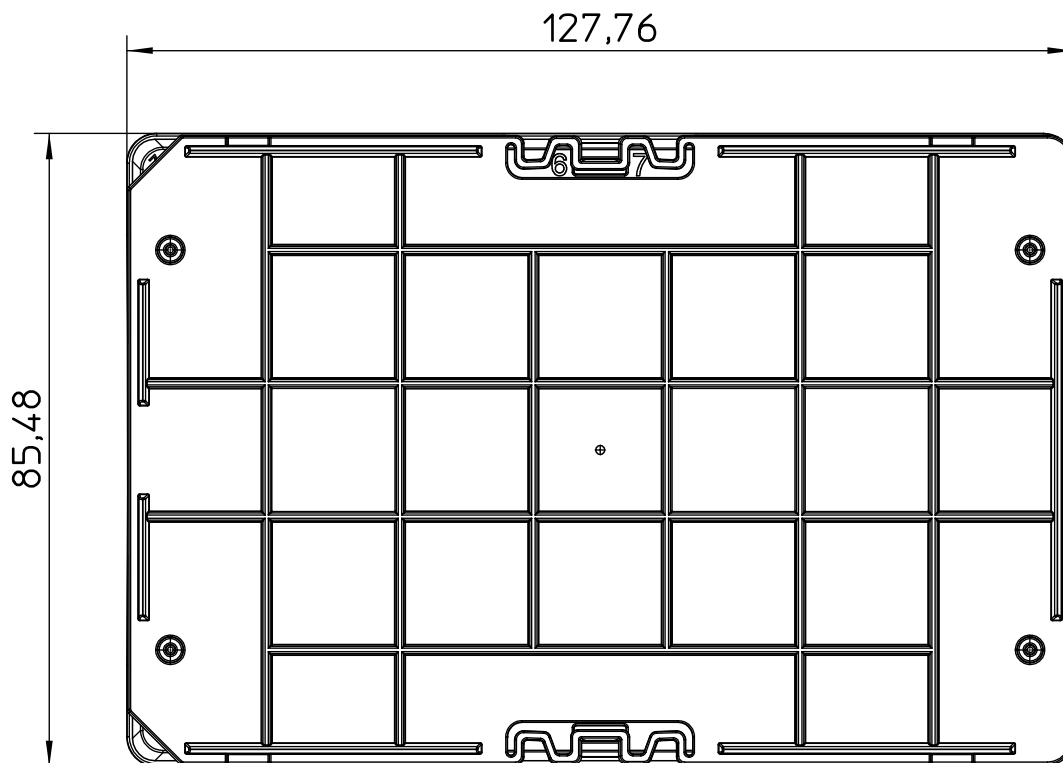
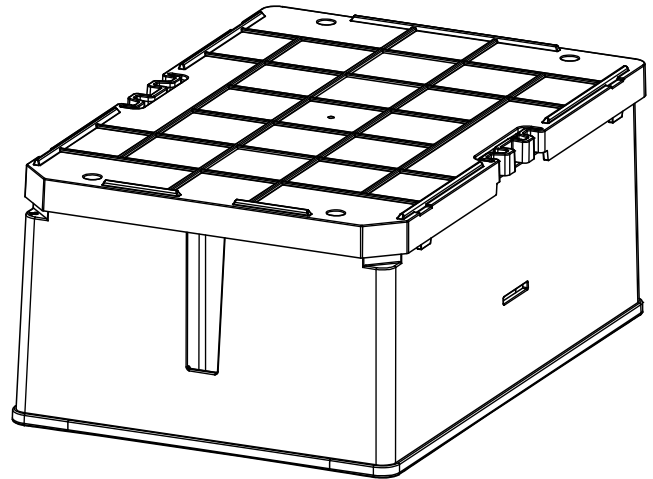
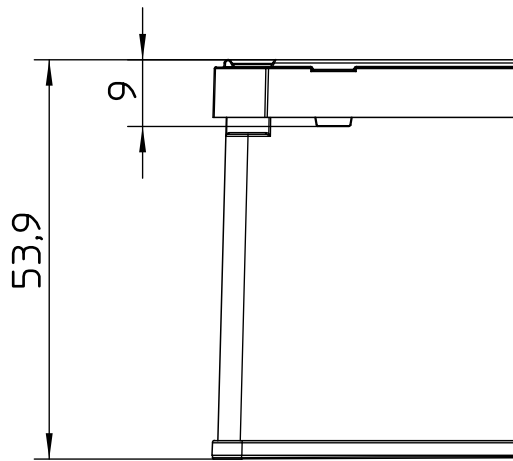
"All dimensions in mm"

Customer drawing subject to change without notice!

Uncontrolled Copy

Prior Issue	Drawn	Approved	Released	CONFIDENTIAL: Information contained in this document or drawing is confidential and proprietary to Greiner Bio-One GmbH. This document may not be reproduced for any reason without written permission from Greiner Bio-One GmbH. All rights of design, invention, and copyright are reserved.
Revision 10	Date 2014/02/19	Date 2022/11/04	Date 2022/11/04	
Date 2020/03/11	Name schwarzej	Name forb	Name sigel	

Valid for Item-No.: 978561, 978570, 978580, 978561-2D1, 978570-2D1, 978580-2D1, 978563, 978583, 978564, 978584, 978565, 978585, 978566, 978586, 978567, 978587, 978568, 978588, 978569, 978589



"All dimensions in mm"
Customer drawing subject to change without notice!

Uncontrolled Copy

Prior Issue	Drawn	Approved	Released	CONFIDENTIAL: Information contained in this document or drawing is confidential and proprietary to Greiner Bio-One GmbH. This document may not be reproduced for any reason without written permission from Greiner Bio-One GmbH. All rights of design, invention, and copyright are reserved.
Revision 10	Date 2014/02/19	Date 2022/11/04	Date 2022/11/04	
Date 2020/03/11	Name schwarzej	Name forb	Name sigel	