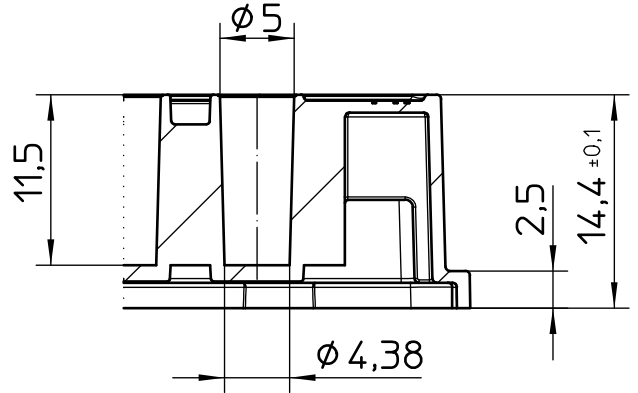
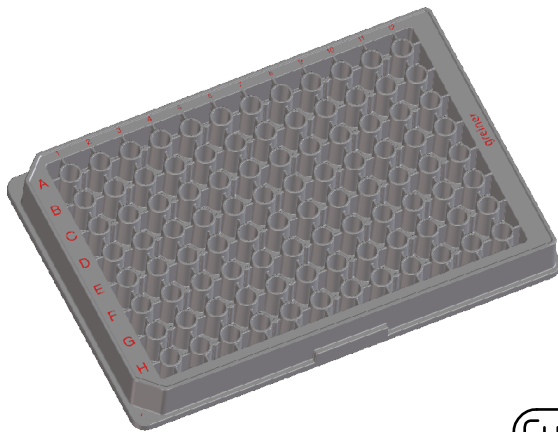
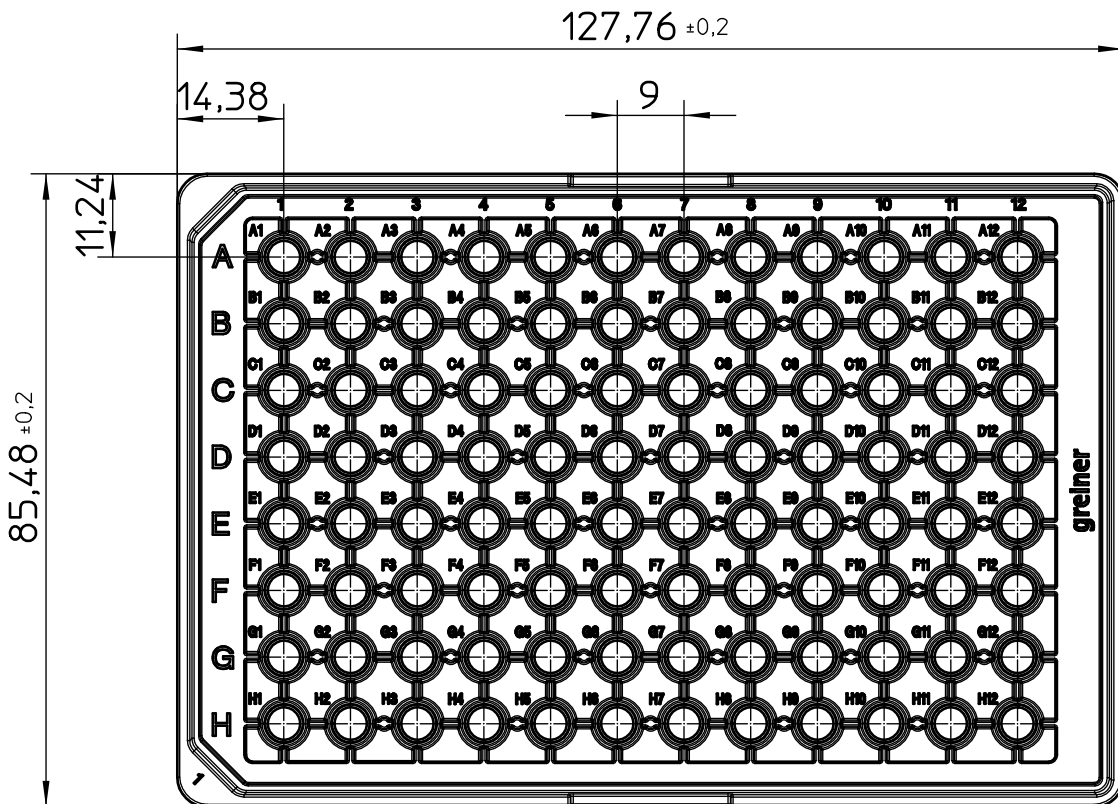
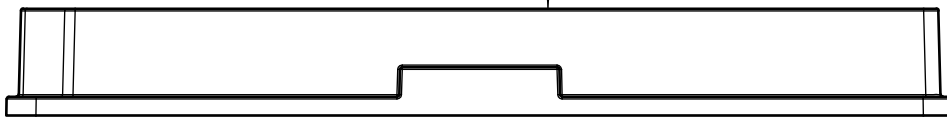


Valid for Item-No.: 675074, 675075, 675076, 675077



Curvature max. 0,20



"All dimensions in mm"

Customer drawing subject to change without notice!

Uncontrolled Copy

Prior Issue	Drawn	Approved	Released	CONFIDENTIAL: Information contained in this document or drawing is confidential and proprietary to Greiner Bio-One GmbH. This document may not be reproduced for any reason without written permission from Greiner Bio-One GmbH. All rights of design, invention, and copyright are reserved.
Revision 3	Date 2015/03/19	Date 2022/11/09	Date 2022/11/09	
Date 2020/02/20	Name forb	Name forb	Name kleber	