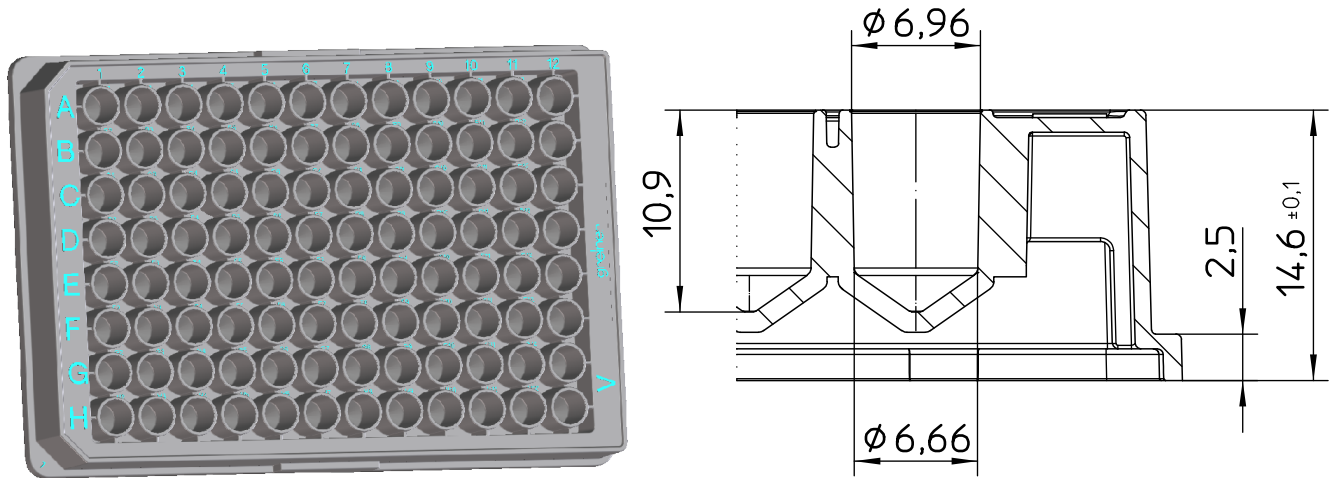
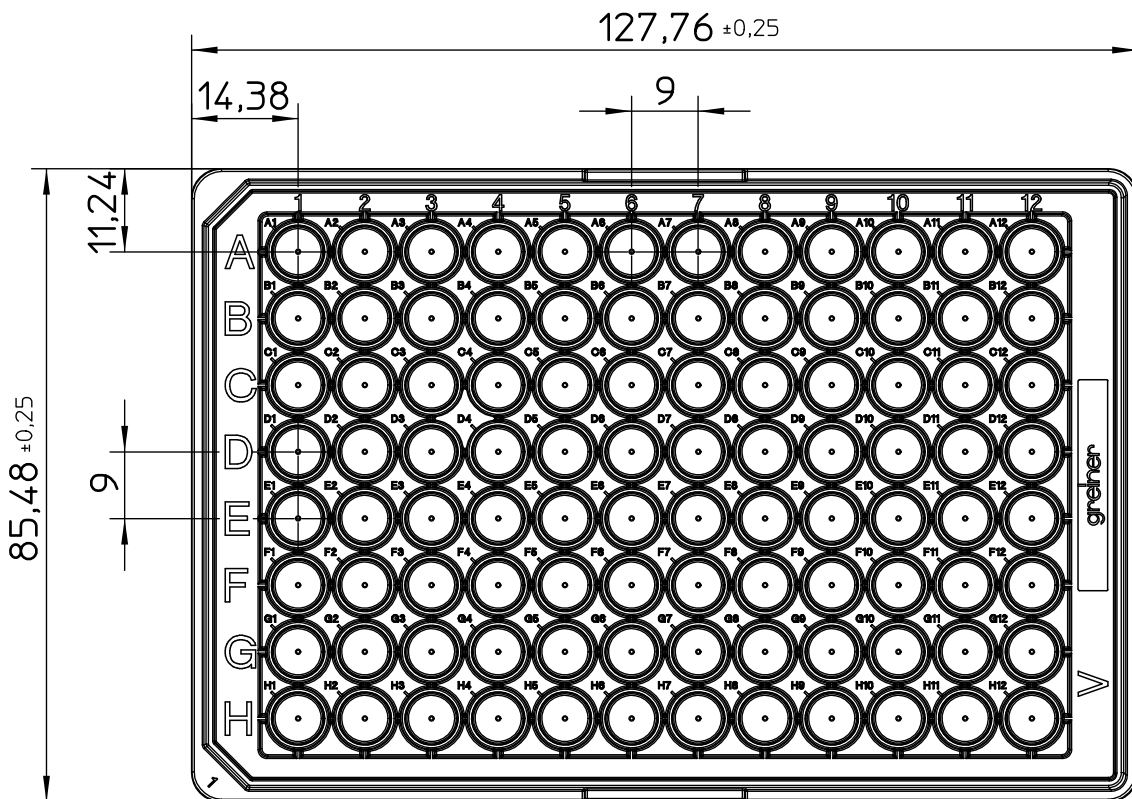
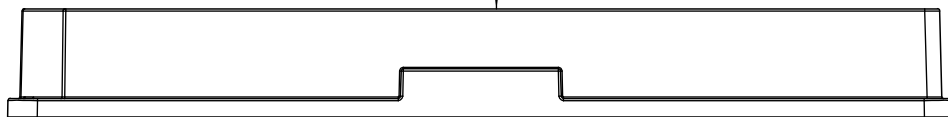


Valid for Item-No.: 651201, 651203, 651204, 651205, 651206, 651209, 651261



Curvature  $\updownarrow$  Max.Diff 0.25



"All dimensions in mm"

Customer drawing subject to change without notice!

Uncontrolled Copy

Prior Issue	Drawn	Approved	Released	CONFIDENTIAL: Information contained in this document or drawing is confidential and proprietary to Greiner Bio-One GmbH. This document may not be reproduced for any reason without written permission from Greiner Bio-One GmbH. All rights of design, invention, and copyright are reserved.
Revision 8	Date 2010/12/17	Date 2024/06/11	Date 2024/06/11	
Date 2021/09/30	Name forb	Name ziegler	Name kleber	