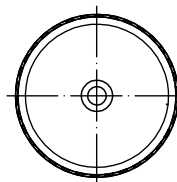
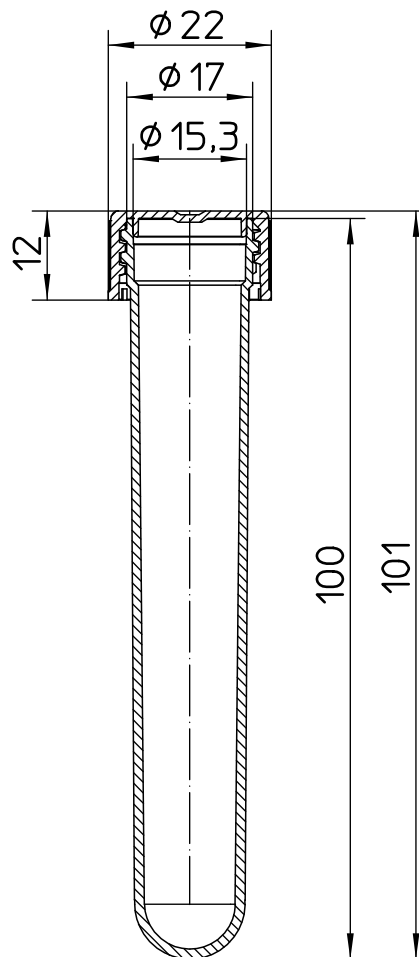
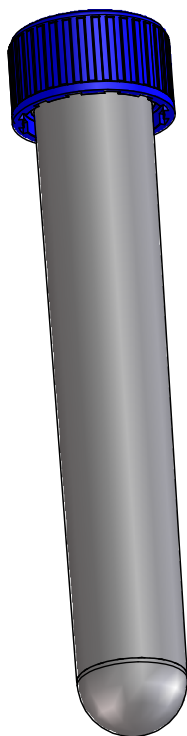


Valid for Item-No.: 163161, 163165, 163169, 163189



"All dimensions in mm"

Customer drawing subject to change without notice!

Uncontrolled Copy

Prior Issue	Drawn	Approved	Released	CONFIDENTIAL: Information contained in this document or drawing is confidential and proprietary to Greiner Bio-One GmbH. This document may not be reproduced for any reason without written permission from Greiner Bio-One GmbH. All rights of design, invention, and copyright are reserved.
Revision 3	Date 2014/12/15	Date 2021/10/07	Date 2021/10/07	
Date 2019/05/29	Name schwarzj	Name forb	Name schwarzj	