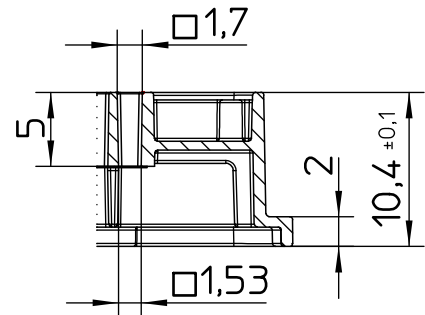
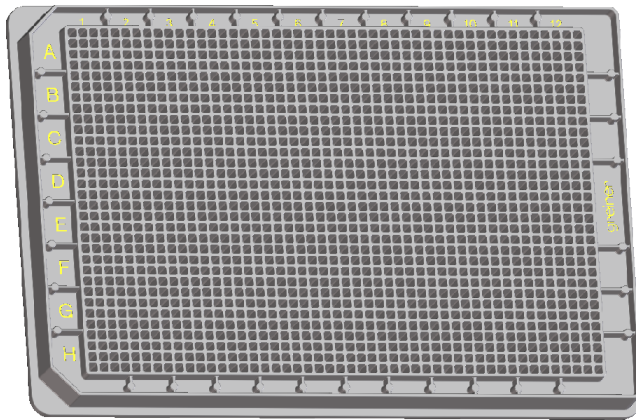
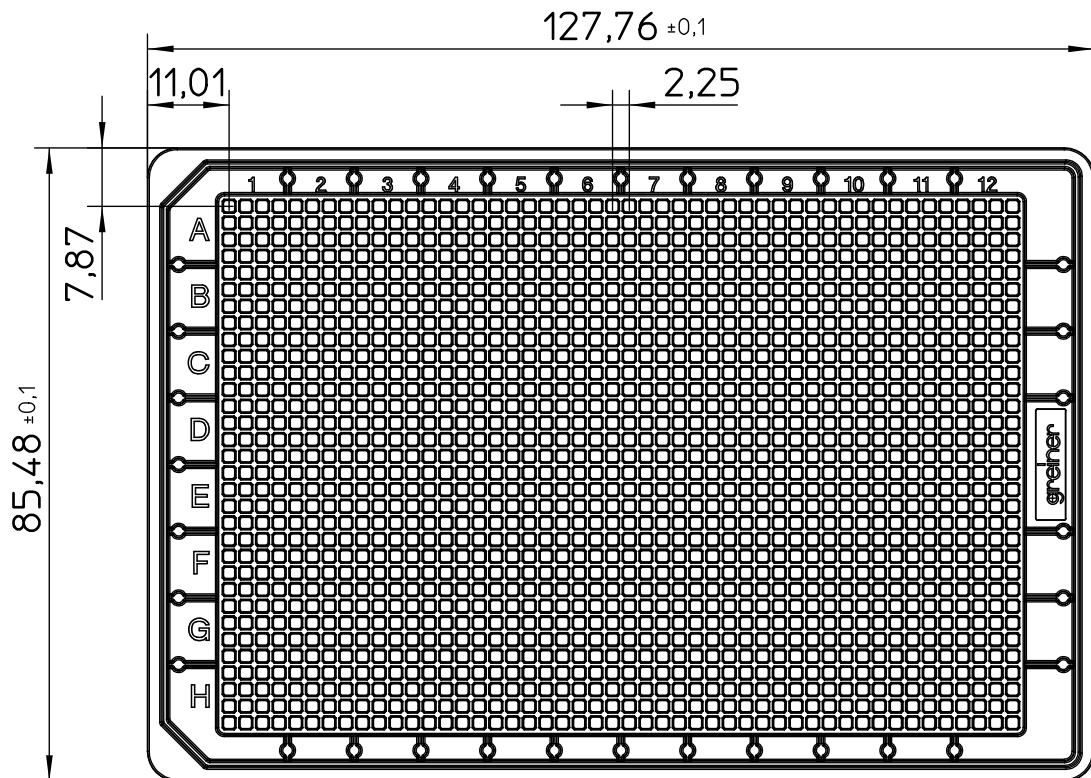
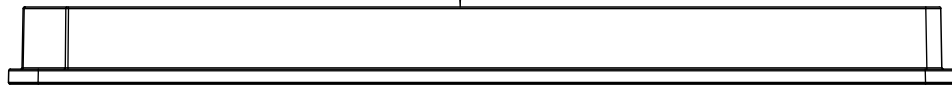


Valid for Item-No.: 782092, 782093, 782094, 782095, 782096, 782097



Curvature  $\updownarrow$  Max.Diff 0,15



"All dimensions in mm"

Customer drawing subject to change without notice!

Uncontrolled Copy

Prior Issue	Drawn	Approved	Released	CONFIDENTIAL: Information contained in this document or drawing is confidential and proprietary to Greiner Bio-One GmbH. This document may not be reproduced for any reason without written permission from Greiner Bio-One GmbH. All rights of design, invention, and copyright are reserved.
Revision	Date	Date	Date	
5	2011/03/23	2021/07/28	2021/07/28	
Date	Name	Name	Name	
2020/04/06	forb	forb	kessler	