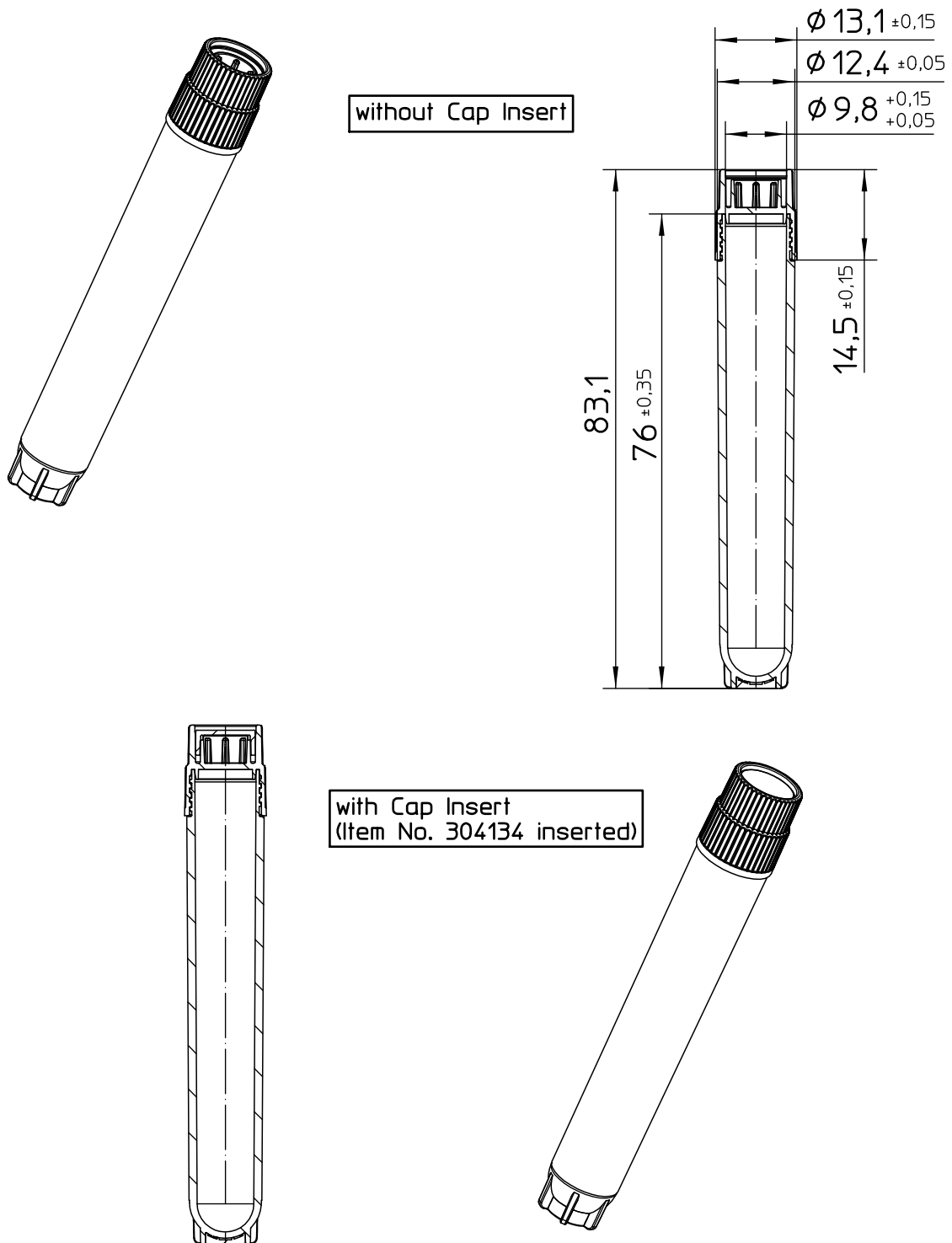


Valid for Item-No.: 127261, 127263, 127263-2DG, 127263-2D1, 127263-2DC, 127277, 127277-2D1, 127278, 127278-2D1, 127279, 127279-2D1, 127280, 127280-2D1



"All dimensions in mm"

Customer drawing subject to change without notice!

Uncontrolled Copy

Prior Issue	Drawn	Approved	Released	CONFIDENTIAL: Information contained in this document or drawing is confidential and proprietary to Greiner Bio-One GmbH. This document may not be reproduced for any reason without written permission from Greiner Bio-One GmbH. All rights of design, invention, and copyright are reserved.
Revision 8	Date 2011/01/26	Date 2023/08/03	Date 2024/01/05	
Date 2023/06/23	Name forb	Name forb	Name kleber	