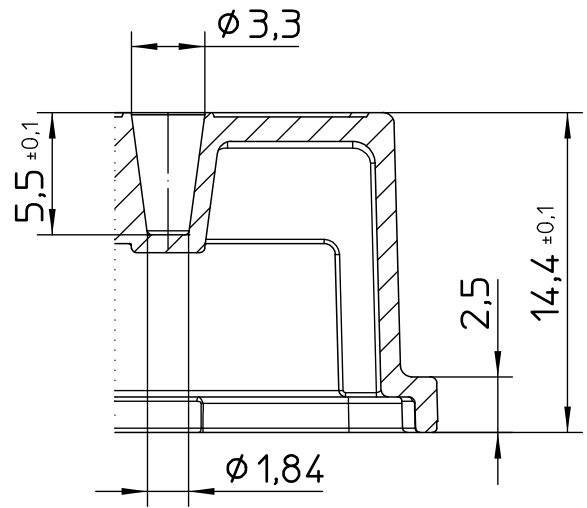
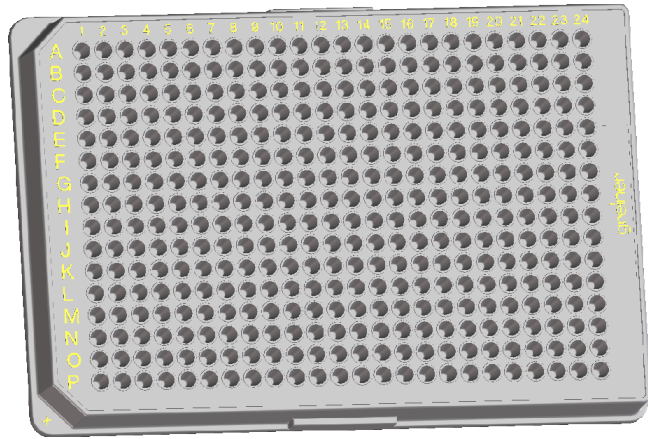
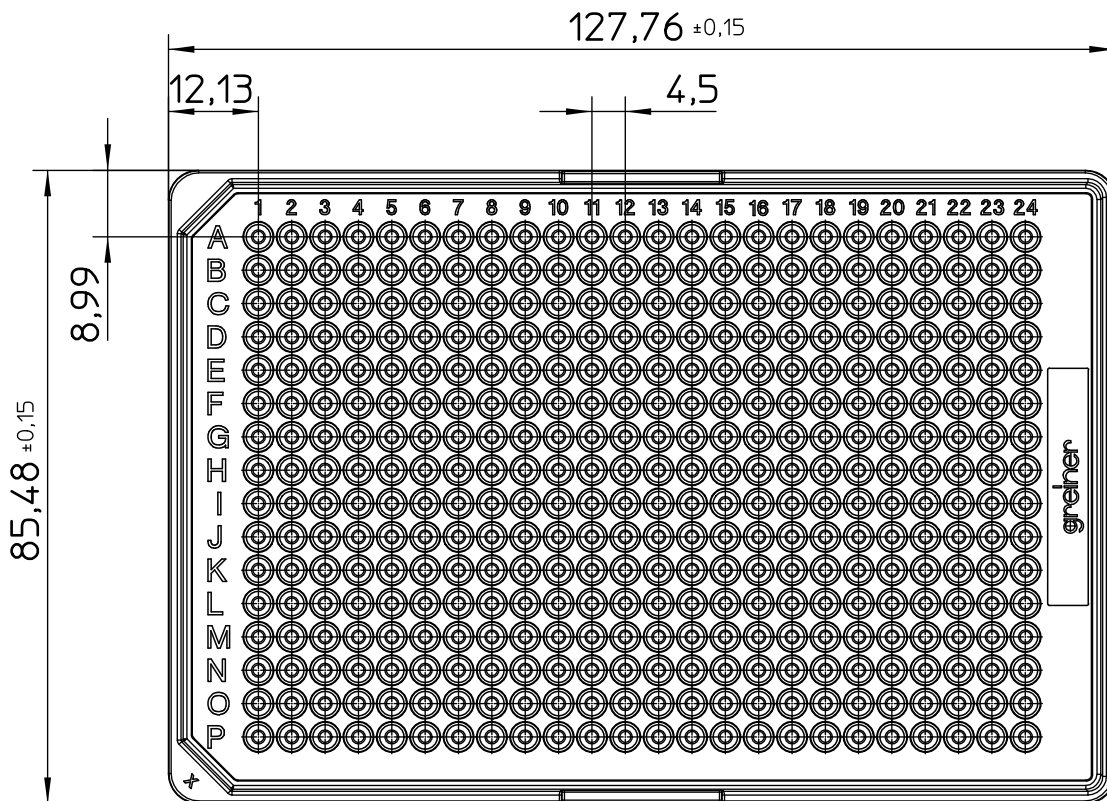
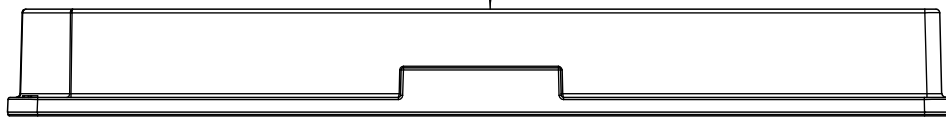


Valid for Item-No.: 784900, 784904



Curvature max.0,15



"All dimensions in mm"

Customer drawing subject to change without notice!

Uncontrolled Copy

| Prior Issue | Drawn | Approved | Released | CONFIDENTIAL: Information contained in this document or drawing is confidential and proprietary to Greiner Bio-One GmbH. This document may not be reproduced for any reason without written permission from Greiner Bio-One GmbH. All rights of design, invention, and copyright are reserved. |
|-----------------|-----------------|-----------------|-----------------|--|
| Revision 3 | Date 2014/10/06 | Date 2021/10/12 | Date 2021/10/12 | |
| Date 2017/02/07 | Name schwarzej | Name forb | Name schwarzej | |